

Operating Instructions

Manual de instrucciones

Testomat[®] 808

Online Analysis Instrument
for Water Hardness

Dispositivo automático de
análisis online para la dureza
del agua

US

ES



Content

Content	2
Important safety information	6
Intended use	6
Qualification of the staff	6
Warning notices in these instructions	7
Notes and instructions to be observed	7
General instructions	7
Installation	8
Operation	8
Cleaning	8
De-installation	8
Disposal	8
Operating requirements	9
Scope of delivery	10
Performance specifications	10
Indicators for Testomat® 808 instruments	10
Functions of the operating and display elements	11
Switching Testomat® 808 on/off	11
Front view Testomat® 808	11
Operating elements/Function keys	12
Display elements/LEDs	13
Installation	14
Installing Testomat® 808	14
Operating Testomat® 808 in the pressure range 4 to 8 bar	14
Connecting the water inlet and outlet	15
Water inlet	15
Water outlet	16
Connecting the power supply and devices	16
Plant example Testomat® 808	17
Internal design Testomat® 808	18
Rear of the controller board	18
Reset key S1	18
Function key S6	18
Function key S7	18
Slide switch T1	19
Slide switch T2	19
Plug connector J1	19
Plug connector J2	19
Plug connector J3	19
Base circuit board Testomat® 808	20
Plug connector J2	20
Plug connector J8	20
Current interface	20
Inputs DEL. EXT. and STOP	21
Terminal block	21
Fuses	21

Connecting the mains voltage.....	22
Connecting the inputs and outputs	23
Description of the signal inputs	25
Interfaces	25
Current interface	25
Serial interface RS232	26
Description of the relay outputs.....	26
Relay 3 – fault message	26
Relays 1 and 2	26
Switching functions of the relays 1 and 2	26
Commissioning	28
Inserting the indicator bottle.....	28
Bleeding the indicator lines	28
Opening the water inlet	28
Instrument settings and analysis	29
Instrument settings.....	29
Selecting the indicator type and bottle size	30
Carrying out an analysis	30
Analysis process	31
Further basic functions and settings.....	32
Internal flushing.....	32
External flushing	32
Flush process – internal/external in manual mode	32
Interval pause	33
72 h operation (operation without permanent supervision)	34
Error messages/Troubleshooting	34
Alarm/Error message/Relay 3.....	34
Low water level	37
Measuring fault analysis	37
Further possible instrument errors	37
Maintenance	38
Service instructions.....	39
Description of maintenance work.....	39
Replacing the indicator bottle.....	39
Cleaning the measuring chamber and the sight-glass windows.....	40
Pump head maintenance message	41
Motor block maintenance.....	42
Testomat® 808 spare parts and accessories	43
Accessories - indicators	44
Technical data	45
EC conformity Declaration	46
Product overview Testomat 2000®-Instruments	47

Índice

Información de seguridad importante	48
Uso previsto	48
Cualificación del personal	48
Advertencias en este manual	49
Indicaciones e instrucciones a tener en cuenta	49
Indicaciones generales	49
En el montaje	49
Durante el funcionamiento	50
En la limpieza	50
En el desmontaje	50
En la eliminación	50
Requisitos operativos	50
Volumen de suministro	51
Descripción del trabajo	52
Indicadores disponibles para los dispositivos Testomat® 808	52
Funciones de los elementos de mando y visualización	53
Encender / apagar el dispositivo Testomat® 808	53
Vista delantera del Testomat® 808	53
Elementos de mando / Teclas de función	54
Elementos de visualización / LEDs	55
Montaje	56
Montaje del Testomat® 808	56
Uso del Testomat® 808 en el rango de presión de 4 a 8 bares	57
Conexión de la alimentación y desagüe	57
Alimentación de agua	57
Desagüe	58
Conexión de la tensión de red y de los dispositivos	58
Ejemplo de una planta con Testomat® 808	59
Estructura interna del Testomat® 808	60
Parte trasera de la placa del controlador	60
Tecla de restauración S1	60
Interruptor de función S6	60
Interruptor de función S7	60
Interruptor deslizante T1	61
Interruptor deslizante T2	61
Conector enchufable J1	61
Conector enchufable J2	61
Conector enchufable J3	62
Placa base Testomat 808	62
Conector enchufable J2	62
Conector enchufable J8	62
Interfaz de corriente	62
Entradas EXT. BORRADO y PARADA	63
Regleta de bornes	63
Fusibles	63
Conexión de la tensión de red	64
Conexión de entradas y salidas	65
Descripción de las entradas de señal	67
Interfaces	67
Interfaz de corriente	67
Interfaz de serie RS232	68

Descripción de las salidas de relé	68
Relé 3 – Mensaje de fallo	68
Relés 1 y 2	68
Funciones de conmutación de los relés 1 y 2.....	68
Puesta en servicio	70
Colocación de la botella de indicador	70
Purga de los conductos de indicador.....	70
Apertura de la alimentación de agua	71
Configuración del dispositivo y análisis	71
Configuración del dispositivo	71
Selección del tipo de indicador y del tamaño de la botella	72
Llevar a cabo un análisis	72
Ejecución de un análisis	73
Otras funciones y ajustes básicos.....	74
Lavado interno	74
Lavado externo	74
Proceso de lavado – interno/externo en modo manual	74
Pausa entre intervalos	75
Funcionamiento de 72 h (funcionamiento sin supervisión continua)..	76
Mensajes de error/Ayuda para fallos	76
Alarma/Mensaje de error/Relé 3	76
Escasez de agua	79
Análisis del fallo de medición.....	79
Otros posibles errores del dispositivo	79
Cuidado y mantenimiento	80
Instrucciones de cuidado	81
Descripción de los trabajos de mantenimiento	81
Cambiar la botella de indicador	81
Limpieza de la cámara de medición y las mirillas.....	82
Mensaje de mantenimiento para la cabeza de la bomba	83
Mantenimiento del bloque motor	84
Piezas de repuesto y accesorios del Testomat® 808.....	85
Accesorios - Indicadores.....	86
Datos técnicos	87
Declaración de conformidad CE	88
Resumen del producto – Dispositivos Testomat 2000®	89



Important safety information

- Please read these operating instructions carefully and completely prior to working with the instrument.
- Ensure that these operating instructions are always available for all users.
- These operating instructions must always be passed on to the new owner should Testomat[®] 808 change hands.
- Always adhere to hazard warnings and safety information when using reagents, chemicals and cleaning agents. Please adhere to the respective safety data sheet! Download the safety data sheets for the supplied reagents at <http://www.heyl.de>.

Intended use

Testomat[®] 808 has been designed for use in the field of water treatment (e.g. osmosis plants, electroplating, large boiler plants, laundries, canteen kitchens). The feed water must be clear, colourless and free of undissolved particles. The instrument is a limit value measuring instrument which automatically monitors the residual total hardness (water hardness) in water.

- Always adhere to the performance limits stated in the section entitled “[Technical data](#)” on page 45.
- Always observe the application areas/application limits of the indicators and the requirements of the medium being measured.

To ensure correct and intended usage, always read and understand these instructions, especially the section entitled “Important safety information”, prior to use.

The instrument is not used as intended if

- it is used in areas not specified in these instructions.
- it is used in areas which do not correspond to the ones described in these instructions.

Qualification of the staff

Assembly and commissioning require fundamental electrical and process engineering knowledge as well as knowledge of the respective technical terms. Assembly and commissioning should therefore only be carried out by a specialist or by an authorised individual supervised by a specialist.

A specialist is someone who due to his/her technical training, know-how and experience as well as knowledge of relevant regulations can assess assigned tasks, recognise potential hazards and ensure appropriate safety measures. A specialist should always adhere to the relevant technical regulations.

Warning notices in these instructions

The warning notices in these instructions warn the user about potential dangers to individuals and property resulting from incorrect handling of the instrument. The warning notices are structured as follows:



Description of the type or source of danger

Description of the consequences resulting from non-observance

- Preventive measures. Always adhere to these preventive measures.
-



DANGER

“**DANGER**” indicates an immediate hazardous situation which, if not avoided, will result in death or serious injury.



WARNING

“**WARNING**” indicates a potentially hazardous situation which, if not avoided, could result in death or serious injury.



CAUTION

“**CAUTION**” indicates a potentially hazardous situation which, if not avoided, could result in minor or moderate injuries or property damage.



NOTE

“**NOTE**” indicates important information. If this information is not observed, it may result in an undesirable result or state.

Notes and instructions to be observed

General instructions

- Adhere to health and safety regulations, electrical equipment safety regulations, and environmental protection regulations valid in the country of use and at the installation site.
- Adhere to national and local regulations during installation and commissioning.
- Always protect the instrument against moisture and humidity. It should never come into contact with condensation or splash water.
- Do not carry out any changes or modifications at the instrument which are not described in these instructions; failure to adhere to these instructions will negatively affect any warranty claims that you make thereafter.



WARNING



Installation

- Always completely disconnect the relevant plant part before installing the instrument or connecting/disconnecting it to/from the power supply. Secure the plant against reconnection.
- Only connect the instrument to the mains voltage specified on the rating plate.
- Always observe technical data and ambient parameters.
- Testomat[®] 808 requires an interference free and stable power supply. If necessary, use a mains filter to protect Testomat[®] against interference voltages caused, e.g., by solenoid valves or large motors. Never lay connecting cables parallel to power cables.

Operation

- Ensure that the maximum electrical load capacity of the relay outputs is never exceeded.
- Immediately switch off Testomat[®] 808 and contact service staff if malfunctioning occurs. The warranty will be void if you tamper with or attempt to repair Testomat[®] 808. Repairs must be carried out by authorised service staff.

Cleaning

- Only use a dry, lint-free cloth for cleaning.

De-installation

- Prior to de-installing a defective instrument, always write down a description of the error (failure effect). It is only possible to repair a defective instrument (irrespective of the warranty period) if it has been de-installed and returned to us with a description of the error. Use the enclosed error log to describe the error and return it to us together with the instrument. If the error log is no longer available, download it at www.heyl.de.

Disposal

- Dispose of the instrument in accordance with national regulations.



CAUTION



NOTE

Operating requirements

- In order for Testomat[®] 808 to operate reliably, use Heyl Testomat[®] indicators in the pH-range 4 – 10.5!
- Only operate the instrument with the parameters specified under “Technical data”.
- With Testomat[®] instruments for water hardness monitoring, larger quantities of heavy metal ions in the softened water might influence the colour reaction, especially iron above 0.5 mg/l, copper above 0.1 mg/l and aluminium above 0.1 mg/l (brownish-red colour display).
- If the measuring water contains more than 20 mg/l CO₂ (carbonic acid), incorrect evaluations cannot be excluded. In this case, use an aerator (e.g. special Heyl accessories).
- The concentration of influencing contents can be determined by using our colorimetric TESTOVAL[®] test kit
- **Important! Excessive carbonate hardness and also the existence of disinfectants in the water can result in erroneous evaluations.**
- Replace the sight glass made of glass to sight glass made of PMMA, if the silicate content in the sample water is higher than 15 mg/l and a white film is deposited on the glass.
- Careful handling of the instrument increases both its operational reliability and service life! Therefore, carry out a visual inspection at regular intervals as described below:
 - Has the use-by-date of the indicator expired?
 - Are the hose connections of the dosing pump free of leaks?
 - Is there any air inside the dosing hoses?
 - Are all the water connections free of leaks?
 - Are the doors of the instrument closed properly?
 - Is the instrument heavily soiled?
 - Are the measuring chamber and the drain duct/drain hose clean?
- Trouble-free operation is only possible when maintenance is carried out on a regular basis! For more information, please refer to the section entitled “[Maintenance](#)” on page 38.
- If problems occur, please refer to the section entitled “[Error messages/Troubleshooting](#)” on page 34.

Scope of delivery

1x Testomat® 808

1x plastic bag containing 1 screw cap with a hole and an insert for the screw cap of the indicator bottle (500 ml)

2x fuse

1x operating instructions

Special accessories (available separately): Filter inlet, candle filter as well as pressure regulator

Required hose connections and supply lines for Testomat® 808 are available from Heyl.

Performance specifications

Testomat® 808 is used for the automatic monitoring of residual total hardness (water hardness) in water. The limit value to be monitored is determined by the indicator selection.

- Limit values for residual hardness of 0.02 – 3.0 °dH* determinable by indicator selection
- Analysis start:
 - Automatic interval mode
(Interval pause can be set from 0 – 60 minutes)
 - External control
 - Manual start
- Extended operating periods due to 500 ml indicator storage bottle
- RS232 interface for optional firmware update

Indicators for Testomat® 808 instruments

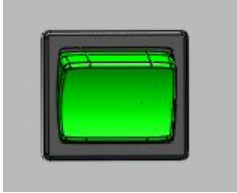
Indicators with various limit values are available for the application of Testomat® 808 instruments according to operational requirements.

Indicator type	Monitoring range	Limit value LEDs (good/poor display)	Measuring result (information on water quality)
300 – 350	Residual hardness 0.02 – 5 °dH	“GOOD” green	Residual hardness < indicator limit value
		“POOR” red	Residual hardness > indicator limit value

All indicator types are available in two bottle sizes (100 ml and 500 ml). Please refer to the section entitled “[Testomat® 808 spare parts and accessories](#)” on page 43 for a detailed list of the individual indicator types with the respective article numbers.

Functions of the operating and display elements

Operating statuses and measuring results are displayed at Testomat[®] 808 via LEDs. The input keys for operating the instrument are positioned below the LEDs.



Switching Testomat[®] 808 on/off

(1) Power switch

Switch the instrument on/off using the green power switch (after opening the housing cover on the front of the instrument).

(2) Instrument fuse (internal)

these fuses protect Testomat[®] 808 and the outputs against overloads and short circuits.


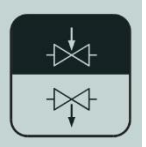


Please refer to the sections entitled “[Fuses](#)” on page 21 and “[Error messages/Troubleshooting](#)” on page 34 for descriptions of the fuses.

Front view Testomat[®] 808



Operating elements/Function keys

All operating elements/function keys are assigned twice. The respective function is triggered by a short or long (min. 2 seconds) key press.

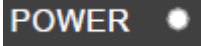
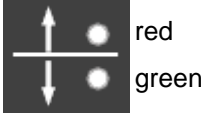

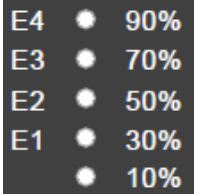
<p>Key 1 (manual)</p> 	<p><u>Short key press:</u> Starts an analysis (manual start), the respective LED flashes.</p> <p><u>Long key press:</u> Switches the dosing pump for bleeding the pipes on/off. The LED illuminates while the pump is running.</p>
<p>Key 2 (flushing)</p> 	<p><u>Short key press*:</u> Switches the internal flush valve on/off, the respective LED flashes as long as the valve is open.</p> <p><u>Long key press*:</u> Activates an external flush valve via relay 1 (on/off). The LED above key 2 and LED K1 illuminate as long as the external valve is activated.</p>
<p>Key 3 (pause)</p> 	<p><u>Short key press:</u> Switches the standby function on/off. The respective LED flashes if standby is active.</p> <p><u>Long key press:</u> The respective LED displays whether operation is possible for longer than 72 h (operation without supervision).</p>
<p>Key 4 (horn)</p> 	<p><u>Short key press:</u> Acknowledges current errors/alarms.</p> <p><u>Long key press:</u> Sets the indicator display from 0% to 100% (the LEDs 10% to 90% illuminate).</p> <p>Note: It is not possible to enter any indicator level.</p>

* only in standby mode

Display elements/LEDs

All measuring results as well as activated functions are displayed at Testomat® 808 via LEDs.

The LEDs above the function keys illuminate/flash when the respective function is activated.

	<p>The LED illuminates if the instrument is switched on via the power switch on the front of the instrument and is operating.</p>
	<p>Limit value LEDs (red/green) for displaying the measuring result: Limit value not achieved => green LED illuminates Limit value exceeded => red LED illuminates When a new measuring is running, the result of the previous measurement flashes.</p>
	<p>The LEDs K1 and K2 display the status of the relays. They illuminate if the respective relay has been switched (also see the section entitled “Switching functions of the relays 1 and 2” on page 26)!</p>
	<p>10% – 90%: These LEDs display the calculated filling level of the indicator bottle (also see the section entitled “Measuring fault analysis” on page 37). E4 – E1: These LEDs display current errors after simultaneously pressing key 3 and key 4 for approx. 2 seconds (also see the section entitled “Error messages/Troubleshooting” on page 34). E4 flashes: The pump head has been in operation for 150 hours and must be replaced (also see the section entitled “Pump head maintenance message” on page 41)</p>

NOTE

Cancelling error messages/warning messages

- Press key 4 to acknowledge the messages and, if necessary, eliminate the cause of the fault.



Installation



Risks resulting from incorrect installation!

- Install Testomat® 808 at a location where it is protected against dripping or splash water, dust and aggressive substances – e.g. in a control cabinet or on a suitable wall.



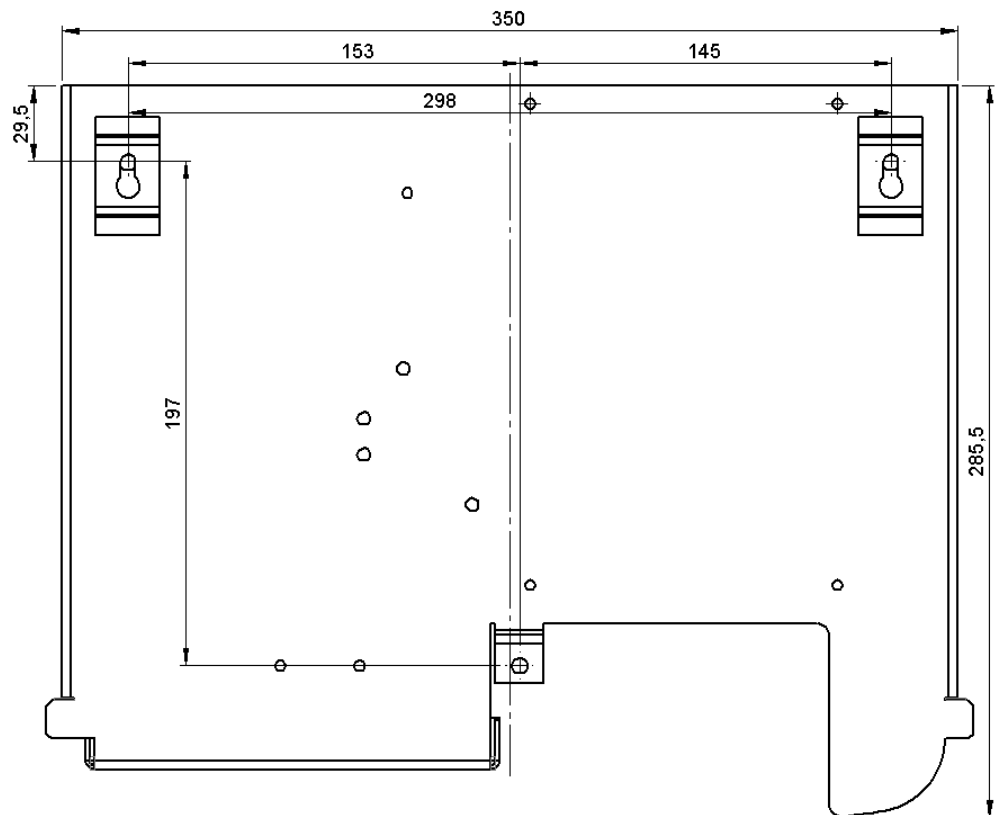
Information for trouble-free operation

- Install Testomat® 808 vertically and without mechanical stress.
- Install Testomat® 808 at a vibration-free site.

Installing Testomat® 808

Select an installation site where the water inlet hose can be kept as short as possible (max. 5 m).

- Drill the mounting holes as shown in the drawing below.
- Use three screws to attach the instrument at a suitable position on the wall.





NOTE

Operating Testomat[®] 808 in the pressure range 4 to 8 bar

Prior to installation, please check whether a higher operating pressure (between 4 and 8 bar) is required. Use a pressure controller (art. no. 37602) for ranges between 4 and 8 bar. Optimum operation of Testomat[®] 808 is achieved with operating pressure of between 2 and 4 bar.

Information for trouble-free operation

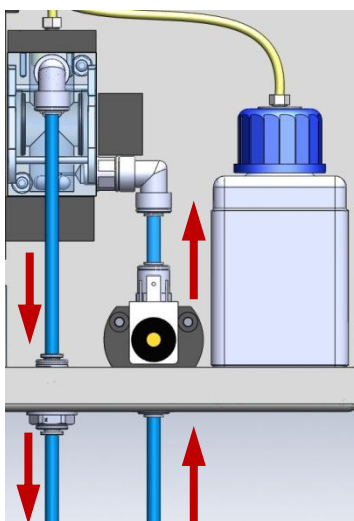
- The water pressure must be between 1 and 8 bar; a pressure reducer should be used for the 4 to 8 bar range (special accessories). This pressure regulator must be set under flow pressure!
- Avoid strong pressure fluctuations.



Connecting the water inlet and outlet

Information for trouble-free operation

- Ensure there are no foreign particles bigger than 150 µm which caused blocking. Use our candle filter (Art. No. 37583) at the front end of the device if you have problems with blocking.
- The measuring water temperature must be between 10°C and 40°C.
- For water temperatures above 40°C, install the KCN type cooler in the supply line of Testomat[®] 808.



Outlet Inlet

Water inlet

The measuring water is taken from the main water line of the water treatment plant and fed to the inlet connection of Testomat[®] 808. The instrument is equipped with a plug connector for plastic hoses 6/4 x 1 (external diameter 6 mm/ internal diameter 4 mm, wall thickness 1 mm) as standard).

- Install the connection for the branch line of Testomat[®] 808 directly at the main water line directly after the water treatment plant.
- Always lay the branch line connection vertically upwards in order to prevent dirt particles from entering the instrument from the main water line.
- We recommend you to install a manually operated stop valve (see figure "Plant example Testomat[®] 808" on page 17) in the branch line to Testomat[®] 808.
- Use an opaque plastic hose 6/4 x 1 (max. length 5 m) for the water inlet ①.
- Flush the supply line to remove any dirt particles.





CAUTION

When using a cooler

- **The hot water can cause burns and damage wetted parts of Testomat® 808.**
-

Water outlet

The feed water flows through the measuring chamber to the drain via the outlet hose.

- Remove the red plug from the outlet connection.
 - Connect the outlet connection of Testomat® 808 to an outlet hose ② (internal diameter 4 mm).
 - Feed the hose to an outlet.
-

Transportation plug!

The outlet is sealed with a plug to prevent leakage during transportation. Keep and store the plug for possible transportation at a later date.

Connecting the power supply and devices



WARNING

Risk of electric shocks during installation!

If the power supply is not disconnected prior to installation, it may result in personal injuries, destruction of the product or damage to plant parts.

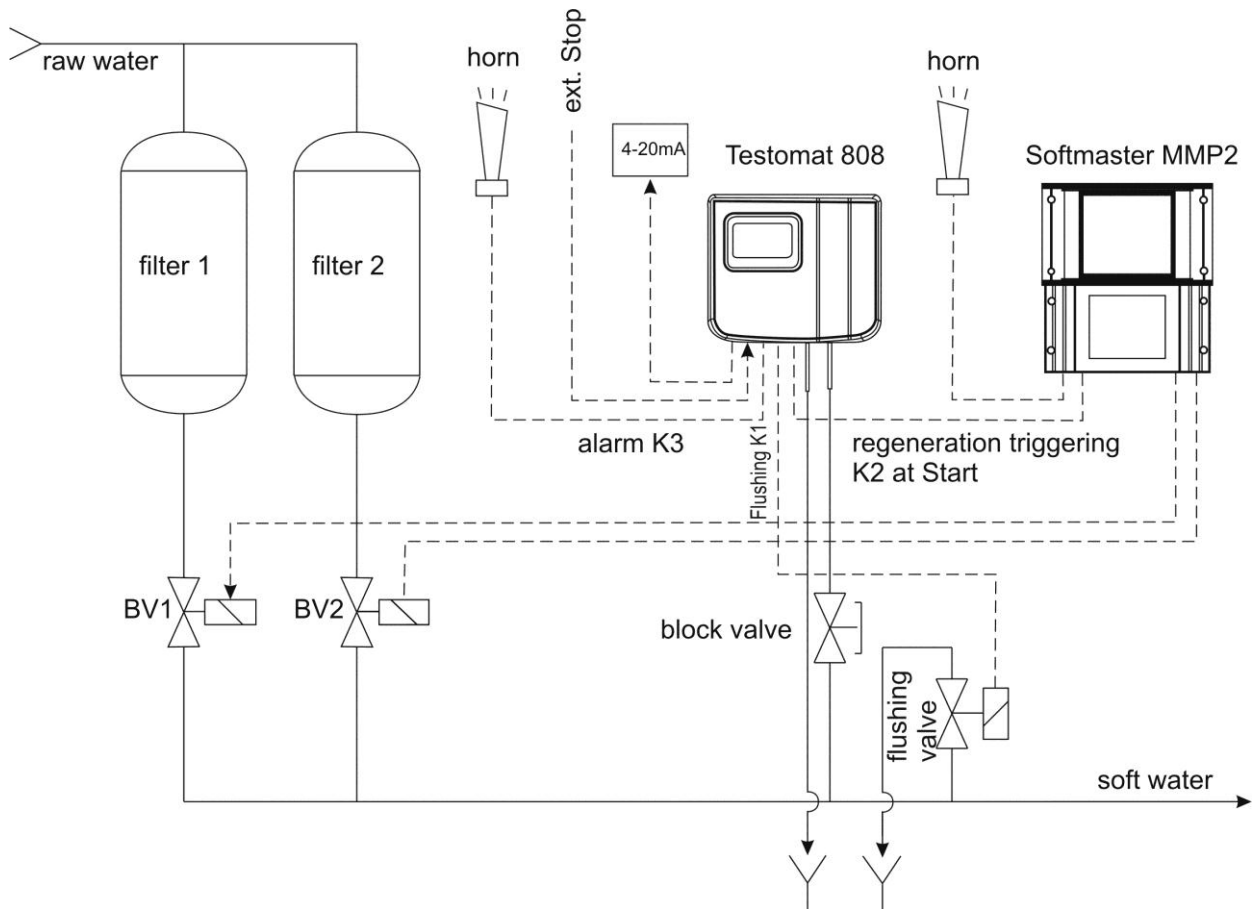
- Always disconnect the relevant plant parts before installing Testomat® 808.
 - Only use tested cables with sufficient cross-sections for the connections.
-

NOTE

Risk of damages caused by electromagnetic fields!

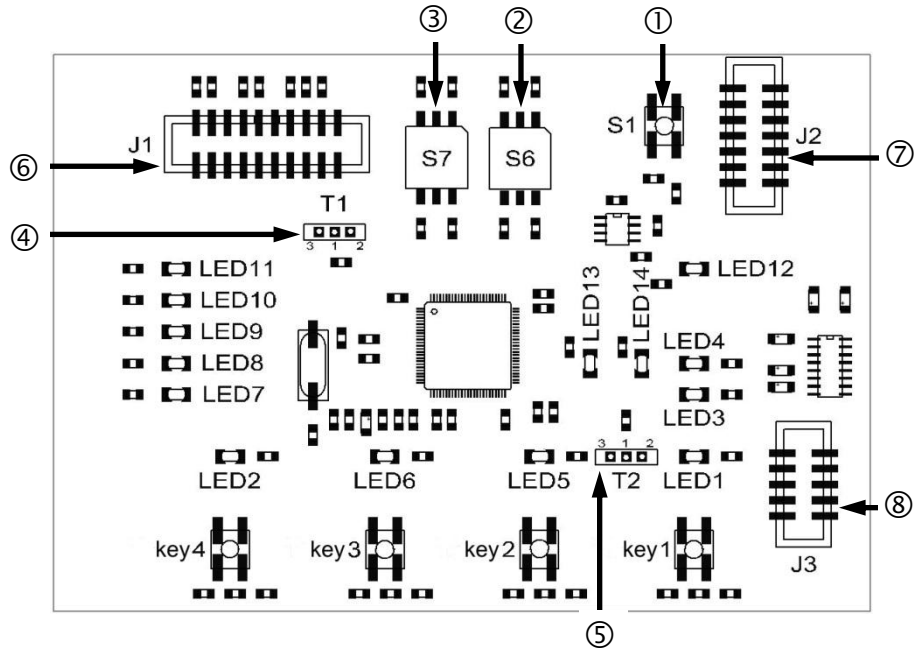
- If Testomat® 808 or the connecting cables are installed parallel to power cables or in close proximity to strong electromagnetic fields, the instrument may be damaged or measurements incorrect.
 - Ensure that connecting cables are as short as possible.
 - Always install connecting cables and power cables separately.
 - Connect the instrument to the protective earth conductor (for 230/115 VAC).
 - Shield the instrument against strong electromagnetic fields.
-

Plant example Testomat® 808



Internal design Testomat® 808

Rear of the controller board



Keys 1 to 4 are located at the front of the board. Please refer to the section entitled “[Functions of the operating and display elements](#)” on page 11 for a detailed description of its operating system and the display elements.

The following function keys and slide switches as well as plug connectors are also provided:

Reset key S1

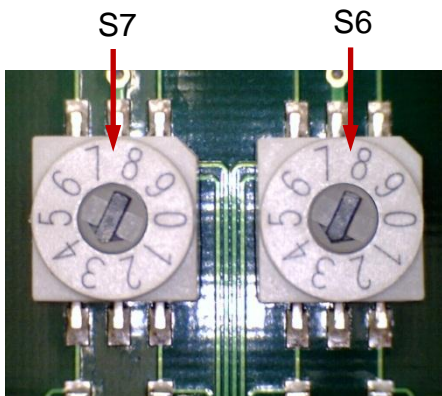
Use reset key S1 ① to execute a reset, i.e. to reset the firmware of Testomat® 808 after an update.

Function key S6

Use function key S6 ② to set the interval pause between measurements. Please refer to the section entitled “[Interval pause](#)” on page 33 for an overview of possible switching positions and interval pauses. (The standard setting is 3.)

Function key S7

Use function key S7 ③ to set the switching behaviour of the relays 1 and 2. Please refer to the section entitled “[Switching functions of the relays 1 and 2](#)” on page 26 for an overview of possible switching positions. (The standard setting is 3.)



NOTE**Switch position**

- The respective switch position is read after evaluating a measuring result and after a reset.



Switch position left
(delivery status)

Slide switch T1

Switch position LEFT: If the slide switch ④ is in the left position and the instrument is switched on or the reset key pressed while the instrument is switched on, the microcontroller executes the operating program (firmware).

Switch position RIGHT: If the slide switch ④ is in the right position and the instrument is switched on or the reset key pressed while the instrument is switched on, the instrument is set to a mode which enables a firmware update via the serial interface.

If your instrument requires a firmware update, Heyl will provide you with further detailed information.

NOTE**Switch position**

- The switch position is only read immediately after a reset.



Switch position right
(delivery status)

Slide switch T2

Use the slide switch T2 ⑤ to determine the size of the indicator bottle. The following indicator bottle sizes are possible:

Indicator	Switch position
100 ml bottle	Left
500 ml bottle	Right

NOTE**Switch position**

- The status of the slide switch T2 is read after resetting the indicator display to 100% and after a reset.

Plug connector J1

The plug connector J1 ⑥ is a programming interface. It is not important for instrument operation.

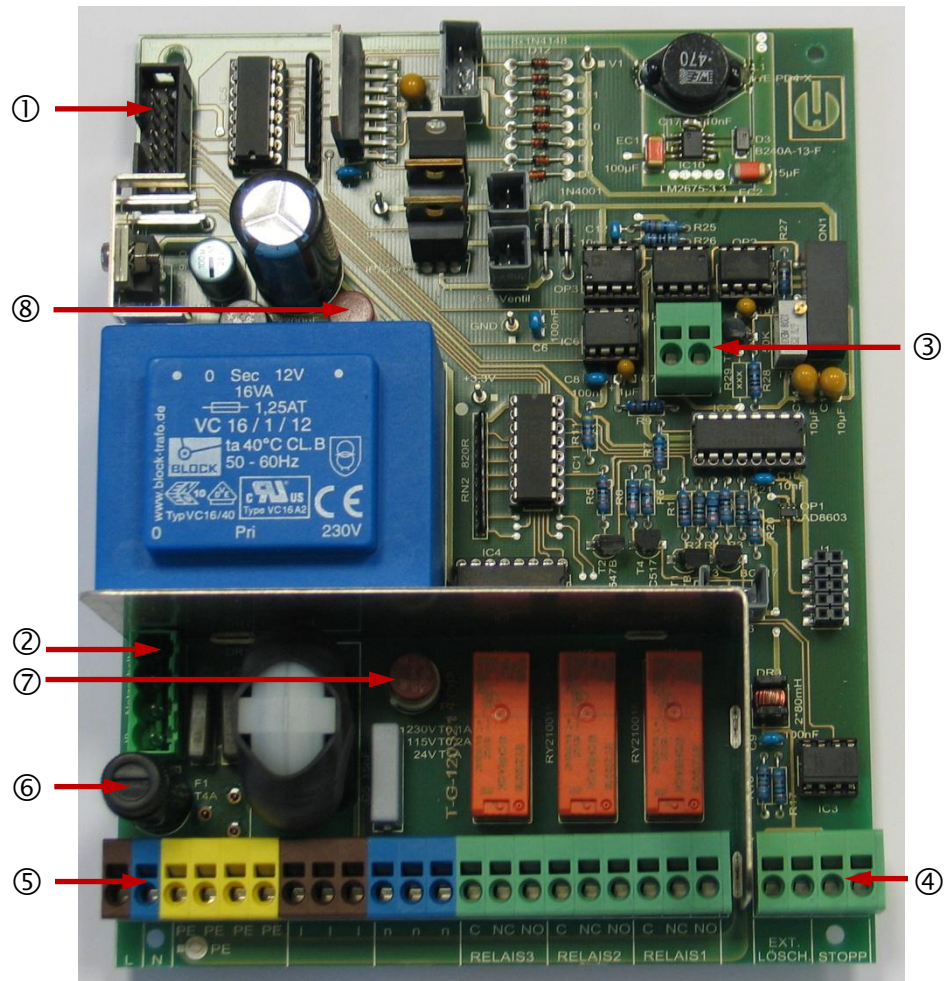
Plug connector J2

The connection to the base circuit board is established via the plug connector J2 ⑦ using a ribbon cable.

Plug connector J3

The connection to the RS232 interface is established via the plug connector J3 ⑧ using a ribbon cable. Please refer to the section entitled “[Serial interface RS232](#)” on page 26 for a detailed description.

Base circuit board Testomat® 808



The illustration above provides an overview of the design of the base circuit board.

Plug connector J2

The connection to the controller board is established via the plug connector J2 ① using a ribbon cable.

Plug connector J8

The power switch is connected at plug connector J8 ②.

Current interface

Please refer to the section entitled “[Interfaces](#)” on page 25 for a description of the current interface ③.

Inputs DEL. EXT. and STOP

Please refer to the section entitled “[Description of the signal inputs](#)” on page 25 for a description of the inputs “Delete externally” and “Stop” ④.

Terminal block

Please refer to the sections entitled “[Connecting the mains voltage](#)” on page 22 and “[Connecting the inputs and outputs](#)” on page 23 for a description of the terminal block ⑤.

Fuses

The following fuses can be found on the base circuit board.

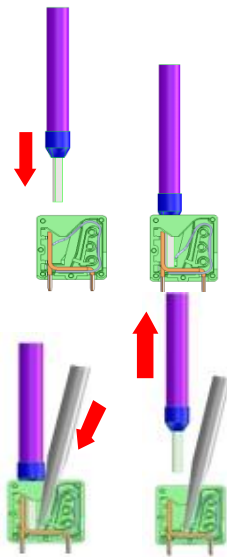
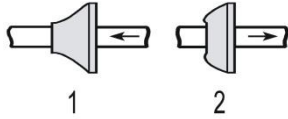


No.	Designation	Function	Comment
⑥	F1	Relay protection fuse	4 A
⑦	F2	Primary fuse	230 V / 0.1 A 115 V / 0.2 A 24 V / 1 A
⑧	F3	Secondary fuse	1 A

Please refer to the section entitled “[Testomat® 808 spare parts and accessories](#)” on page 43 for the article numbers when reordering fuses.

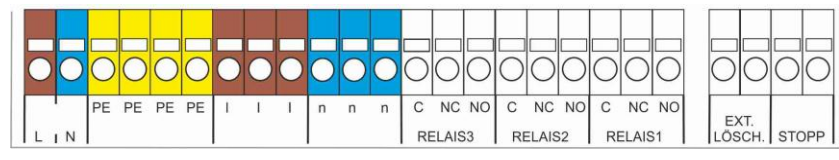
Connecting the mains voltage

Only connect the instrument to the specified mains voltage. Refer to the rating plate for the appropriate mains voltage. Connect the cables as follows:



- Open the housing cover and subsequently loosen the two fastening screws at the top and bottom of the door to the interior of Testomat® 808. The door can now be opened and the terminal box accessed.
- Feed the cable through one of the cable glands underneath the housing into the terminal box.
- Feed the cable through one of the cable glands underneath the housing into the terminal box.
- Subsequently pull back the cable until the bush has been turned over (2).
- Connect the power supply to the terminals PE, N, L.
- To do so, insert the conductors into the round cable input at the terminal block. Ensure that the strands are held securely in the terminals.
- To loosen the connection, insert a screwdriver into the square opening without force in order to open the terminal. Once the terminal has been opened, remove the conductor.

Terminal description	Type	Function	Comment
PE	IN	Mains protective earth (4x)	Only with mains 115/230 V !
N (U) L (V)	IN	Mains, N=neutral (U=24 V) Mains, L=live (V=24 V)	Mains input 50-60 Hz 24 V / 115 V / 230 V
n I	OUT	Neutral, switched (3x) Live, switched (3x)	Mains for consumers, max. 4 A



Connecting the inputs and outputs



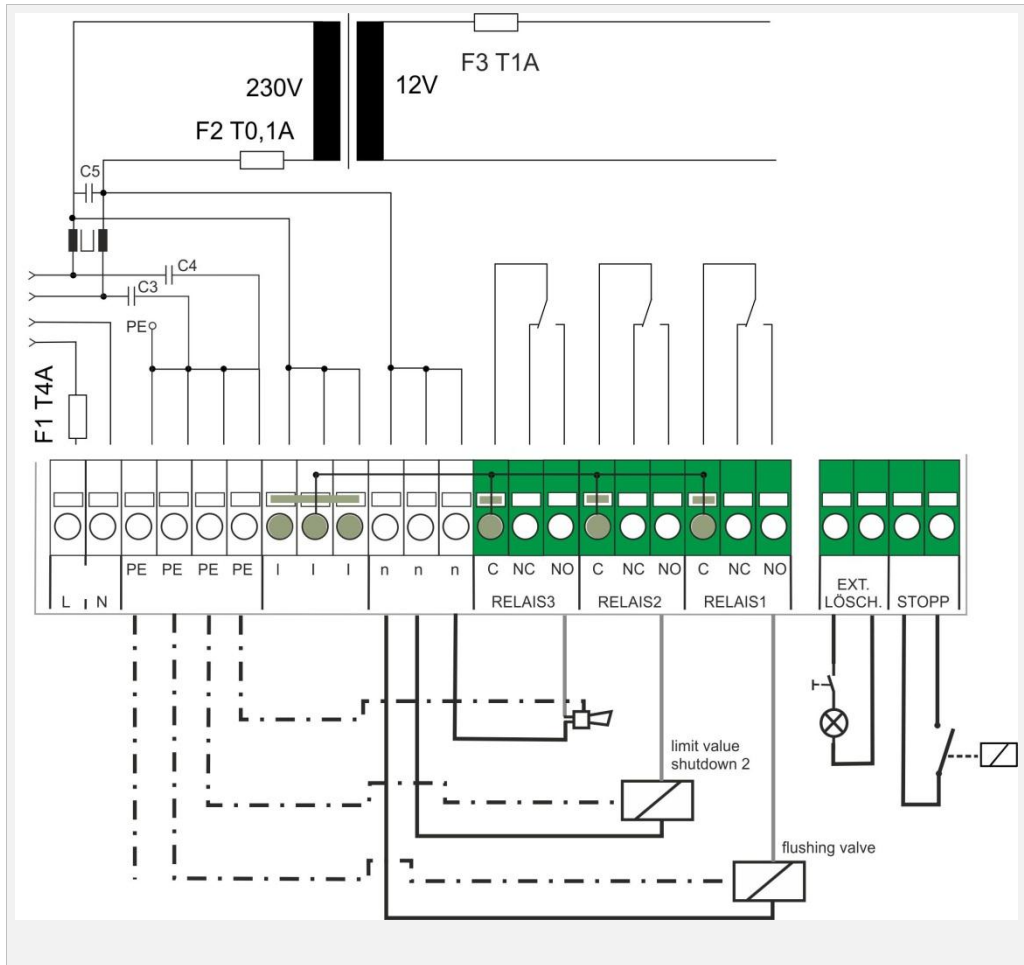
Connecting the inputs

- Do not connect external voltage to these connections!

Testomat® 808 has the following connections for control and monitoring functions.

- Ensure that the strands are held securely in the terminals.
- Use the two fastening screws to close the door once installation has been completed.

Terminal description	Type	Function	Comment
RELAY 3	OUT	Fault message output – change-over contact	Volt-free relay output*
RELAY 2	OUT	Control for external application	Volt-free relay output*
RELAY 1	OUT	Control for external flush valve	Volt-free relay output*
EXT. DEL.	IN	Acknowledgment message input – normally open	Volt-free input
STOP	IN	Flow controller/Switch input – normally open	Volt-free input



* Please refer to the section entitled “[Technical data](#)” on page 45 for the maximum contact load of the relays.

Please refer to the section entitled “[Description of the signal inputs](#)” on page 25 or “[Description of the relay outputs](#)” on page 26 for a detailed description.

Description of the signal inputs



CAUTION

EXT. LÖSCH.
terminals

STOPP
terminals

NOTE

Connecting the signal inputs

- Only connect the signal inputs “Delete externally” and “Stop” to *volt-free* contacts!

The connection of external voltages would damage the instrument!

DEL. EXT. (EXT. LÖSCH.) of relay 3

The input “Delete externally” is used for the external deletion/acknowledgment of current errors/alarms. It reacts the same as key 4 (horn) after a short press, i.e. all fault messages can also be acknowledged via a remote control (normally open).

STOP

The input “Stop” is the input for an external flow controller or switch (volt-free, normally open). It reacts the same as key 3 (pause) after a short press. The LED above key 3 flashes and the instrument no longer executes analyses. However, an analysis currently in progress will be completed.

Priority of input STOP

- The external stop function has priority over key 3 (pause)!
- If the standby function (key 3) has been activated and subsequently deactivated during an analysis pause, the interval pause time is reset. However, if the standby function is terminated via the “Stop” input, the analysis starts immediately.

Interfaces

Current interface

I-OUT / I-IN



The results of the analyses or statuses can be registered via the output of the current interface (I-OUT (+) / I-IN (-)). The following defined values for status and error messages are output for this:

- 5 mA = Pause
- 8 mA = Good measurement
- 11 mA = Poor measurement
- 14 mA = Low water level
- 17 mA = Low indicator level (< 10%)
- 20 mA = Indicator is empty or optical fault or no or insufficient indicator in the measuring chamber

NOTE**Current interface load**

- The current interface is galvanically decoupled. A maximum load of 500 Ohms should not be exceeded!

For faults and when using very long cables (approx. 20 m), a screened cable should be used if possible.

**Serial interface RS232**

The serial interface RS232 is located at the front of Testomat® 808 (after opening the housing cover). Use a ribbon cable with a 9-pole Sub-D connector to connect the plug J3 on the controller board to RS232. Use this RS232 interface to connect a computer/notebook to the controller board of Testomat® 808 via a null modem cable and update the instrument's firmware.

Description of the relay outputs

All relay outputs are neutral contacts. This ensures that all connection options are available. The switching of mains voltage and external voltage, and the direct switching of inputs, e.g. a process controller, can thus be realised. Please refer to the chapter entitled "[Technical data](#)" on page 45 for the maximum load of the relays.

Relay 3 – fault message

Relay 3 is designed as a change-over contact and used for fault messages indicating low water level, low indicator level, power failure and measuring faults.

NOTE

After several consecutive faulty measurements the relay 3 deactivates and an error message is issued via the current interface.



Function key S7

NOTE**Relays 1 and 2**

Two volt-free relay contacts are available to signal that a limit value has been exceeded. Set the function of the relays via the switch position of function key S7.

Switching functions of the relays 1 and 2**Switch position**

- The respective switch position is read after evaluating a measuring result and after a reset.

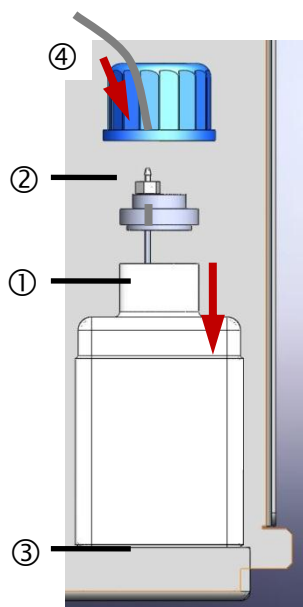
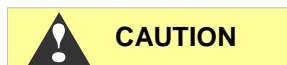
The following switch positions are possible:

Switch position	Relay 2 (message poor analysis)	Relay 1 (external flush)	Comment for relay 2
0	Normally open – closes in case of 1 poor analysis, remains closed until the next good analysis	Normally open – closes after a poor analysis for 1 minute	Continuous contact can be deleted via key 4 (horn) or “Delete externally”.
1	Normally open – closes in case of 1 poor analysis, remains closed until the next good analysis	Normally open – closes after a poor analysis for 3 minutes	Continuous contact can be deleted via key 4 (horn) or “Delete externally”.
2	Normally open – closes after 2 poor analyses, remains closed until the next good analysis	Normally open – closes after the first poor analysis for 1 minute and after the second poor analysis for 2 minutes	Continuous contact can be deleted via key 4 (horn) or “Delete externally”. The instrument skips the interval pause after the first poor analysis.
3*	Normally open – closes after 3 poor analyses, remains closed until the next good analysis	Normally open – closes after the first poor analysis for 1 minute, after the second poor analysis for 2 minutes and after the third poor analysis for 3 minutes	Continuous contact can be deleted via key 4 (horn) or “Delete externally”. The instrument skips the interval pause after the first and second poor analysis.
4	Normally open – closes in case of 1 poor analysis and remains closed. Opens again once the alarm has been deleted		Instrument goes into standby. Continuous contact can be deleted via key 4 (horn) or “Delete externally”.
5	Normally open – closes after 2 poor analyses and remains closed. Opens again once the alarm has been deleted	Normally open – closes after the first poor analysis for 1 minute	Instrument goes into standby. Continuous contact can be deleted via key 4 (horn) or “Delete externally”. The instrument skips the interval pause after the first poor analysis.
6	Normally open – closes after 3 poor analyses and remains closed. Opens again once the alarm has been deleted	Normally open – closes after the first poor analysis for 1 minute and after the second poor analysis for 2 minutes	Instrument goes into standby. Continuous contact can be deleted via key 4 (horn) or “Delete externally”. The instrument skips the interval pause after the first and second poor analysis.
7	Normally open – closes in case of 1 poor analysis, remains closed until the next good analysis	Normally open – closes for 90 s before the analysis	Continuous contact can be deleted via key 4 (horn) or “Delete externally”
8	Normally open – closes after the 2 poor analyses for 1 minute	Normally open – closes after the first poor analysis for 1 minute and after the second poor analysis for 2 minutes	The instrument skips the interval pause after the first poor analysis.
9	Normally open – closes after the 3 poor analyses for 1 minute	Normally open – closes after the first poor analysis for 1 minute, after the second poor analysis for 2 minutes and after the third poor analysis for 3 minutes	The instrument skips the interval pause after the first and second poor analysis..

* Delivery status

Updated: July 2014

Commissioning



Handling reagents/indicators

- Please adhere to the respective safety data sheet!
- Trouble-free operation of Testomat® 808 is only guaranteed when using Heyl Testomat® indicators!

Inserting the indicator bottle

- Open the housing cover to access the housing.
- Remove the cap from the indicator bottle.
- The supplied plastic bag contains the blue screw cap with a hole and the respective insert for the indicator bottle (500 ml).
Caution! There are two inserts. One is for the 100 ml indicator bottle (spare part) and the other one is for the 500 ml indicator bottle (scope of delivery). The length of the suction tube indicates which insert is for which bottle. Select the insert that matches your indicator bottle. When inserted, the suction tube should almost reach the bottom of the indicator bottle.
- Place the insert ① into the indicator bottle.
- Screw the blue screw cap with hole ② hand-tight onto the indicator bottle.
- Place the indicator bottle ③ next to the water inlet in the housing.
- Push the intake hose ④ hand-tight onto the hose connector of the insert.

Bleeding the indicator lines

To ensure that indicator is available for the initial analyses, the intake hose and the transport hose must be filled with indicator from the pump up to the measuring chamber.

- Switch on the instrument and press key 3 (pause). The standby function is switched on or off via a short key press. The LED above the key flashes if the function is active.
- Press key 1 (manual) for longer (approx. 2 seconds) to bleed the lines. The dosing pump starts to run.
- Let the pump run until no more bubbles escape from the dosing needle. Then press key 1 (manual) again for approx. 2 seconds to switch off the pump.

During operation, the pump automatically extracts the indicator.

Opening the water inlet

- Slowly open the manual stop valve in the water line to open the water inlet.

Instrument settings and analysis

Please read the following information before carrying out the required settings at the instrument.

Instrument settings

The required instrument settings for executing analyses, e.g. measuring interval pause, indicator bottle size and behaviour of relays 1 and 2, are carried out on the controller board using the function keys and slide switches. Please refer to the section “[Internal design Testomat® 808](#)” on page 18 for a detailed description.

NOTE

Double assignment of the function keys

- The four function keys at Testomat® 808 for instrument operation basically have two functions.
- A short or long key press (at least 2 seconds) is required for operation.

A short key press activates the top functional level (displayed in black on the key). A long key press is required to activate the bottom key function (displayed in white). Please refer to the section entitled “[Operating elements/Function keys](#)” on page 12 for a description of the individual functions.

NOTE

Displaying operating statuses and measuring results

- Only LEDs are used to display operating statuses and measuring results at Testomat® 808.
- Depending on the status or measuring result, the LEDs can either flash or illuminate continuously (see the section entitled “[Display elements/LEDs](#)” on page 13).

NOTE

Limit value display

- Testomat® 808 is a pure limit value measuring instrument which uses two limit value LEDs to display the measuring result.



- The green LED illuminates when the limit value specified by the selected indicator is not achieved during the analysis.
- The red LED illuminates if the limit value is exceeded.
- If a new measurement is running after completion of another measurement, the result of the previous measurement flashes in the display. The respective LED displaying the result of the previous measurement illuminates continuously during the interval pause.

Both LEDs are switched off if an error occurred during the previous measurement.

Selecting the indicator type and bottle size

NOTE

Specifying the measuring/monitoring range of Testomat® 808

- The measuring/monitoring range of Testomat® 808 is specified by the selected indicator type only.
- Please refer to the section entitled “[Testomat® 808 spare parts and accessories](#)” on page 43 for a list of available indicators.

All listed indicator types are available in two bottle sizes. To specify the size of the indicator bottle, move slide switch T2 on the rear of the controller board to the respective switch position (see the section entitled “[Internal design Testomat® 808](#)” on page 18):

Switch position	Indicator	Range
Left	100 ml bottle	~ 1200 analyses
Right	500 ml bottle	~ 6500 analyses

NOTE

Switch position

- The status of slide switch T2 is read after resetting the indicator display to 100% and after a reset.

NOTE

Set indicator quantity to 100%

- After selecting the bottle size and inserting the bottle, press key 4 (horn) to set the display for the indicator quantity to 100%.

Carrying out an analysis

After switching it on, the instrument commences automatic interval mode. The first analysis starts after 15 seconds. The following analyses start automatically according to the set interval pause.

NOTE

Duration of the interval pause

- The duration of the interval pause between two measurements can be set between 0 and 60 minutes, also see the section entitled “[Interval pause](#)” on page 33.
- **Attention!** After a poor analysis, the interval pause is ignored in some switching positions of function key **S6** (2/3/5/6/8 and 9) and **another** analysis is carried out immediately.

Automatic interval mode can be interrupted via standby and analyses started manually.

Operating mode	Function/Process
Standby	The instrument is switched on and in standby. Short press key 3 (pause) to switch standby on/off. Note: During an interval pause, the instrument immediately switches to standby; a started analysis is always completed.
Manual	Precondition: The instrument is in standby or in an interval pause. Short press key 1 (manual) to switch on manual mode. An analysis is started immediately, irrespective of the set interval pause.

Analysis process

The analysis takes approx. 2 minutes. The water analysis process for determining the residual total hardness is as follows:

Analysis start

- ⇒ The solenoid valve for water inlet opens
- ⇒ The measuring chamber is flushed
- ⇒ The solenoid valve closes after the flush time
- ⇒ The optical transmitter is switched on to measure possible turbidity in the water
- ⇒ The measurement continues until the turbidity clears (the water has been fully outgassed)
- ⇒ The measurement starts when the measured value is constant
- ⇒ The dosing pump and stirring bar are activated
- ⇒ The current measured value is read
- ⇒ The colour change in the measuring chamber is evaluated
- ⇒ If necessary, switch relay, result is displayed
- ⇒ The measuring chamber is flushed

Analysis end

Further basic functions and settings

Internal flushing

To ensure that the analysed sample represents the current value, the sampling line must be sufficiently flushed.

NOTE

Duration of the internal flush time

- The duration of the internal flush time is preset (10 s before and after a measurement) and cannot be influenced by the operator.

The quantity of flush water for internal flushing depends on the pressure:

Pressure	Max. water quantity per analysis
1 bar	80 ml
2 bar	120 ml
3 bar	160 ml

External flushing

If a very long (approx. 3 – 10 metres) sampling line or a line with a large diameter is used, install an external flush valve upstream of Testomat® 808. Connect the external flush valve to the "Relay 1" outlet.

Flush process – internal/external in manual mode

Proceed as follows to additionally flush the instrument:

- At first switch the instrument into standby mode for flushing. Short press key 3 (pause) to achieve this.
- If a measurement is running, wait until the measurement has been completed.

Internal flush process:

- Short press key 2 (Flush) to open the internal flush valve.

The valve opens and the measuring chamber is flushed.

The LED above key 2 (Flush) flashes as long as the internal flush valve is activated.

- Short press key 2 (Flush) again to terminate the flush process.

External flush process:

- Long press (approx. 2 seconds) key 2 (Flush) to activate the external flush valve.

The external valve is activated via relay 1 and the line is flushed.

- Long key press (approx. 2 seconds) key 2 (Flush) again to terminate the external flush process.

The LED above key 2 (Flush) and LED K1 illuminate as long as the external flush valve is activated.

Interval pause

If the analysis is started via a timer, the interval between two analyses (plus flush time) is determined by the interval pause. The shortest interval can be 0 minutes. In this case, analyses are carried out continuously. The longest interval is 60 minutes.

Set the desired measuring interval pause via function key S6 on the controller board (see the section entitled "[Rear of the controller board](#)" on page 18). The following switching positions and interval pauses are possible:

Position	Interval pause
0	0 min.
1	5 min.
2	10 min.
3*	15 min.
4	20 min.
5	25 min.
6	30 min.
7	40 min.
8	50 min.
9	60 min.

* Delivery status

NOTE**Switch position**

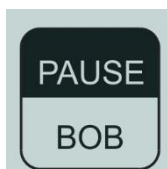
- The current switch position is read after evaluating a measuring result and after a reset.

NOTE**Resetting the interval pause time**

- However, if the standby function has been activated and subsequently deactivated during an analysis pause, the interval pause time is reset.

72 h operation (operation without permanent supervision)

If the instrument should run for a longer period of time without supervision (e.g. at the weekend), use this function to check whether sufficient indicator is available for a continuous measurement.



On the basis of the still available indicator, the set indicator pause and indicator quantity consumed per measurement, the instrument calculates whether the residual indicator quantity is sufficient for the next 72 operating hours.

- Press key 3 (pause) for approx. 2 seconds to check whether 72 h operation is possible.

72 h operation possible	72 h operation not possible
The LED above key 3 (pause) illuminates for 4 seconds.	The LED above key 3 (pause) flashes quickly for 4 seconds.

Error messages/Troubleshooting

Alarm/Error message/Relay 3

Testomat[®] 808 uses LEDs which either illuminate continuously or flash to display alarm/error messages.

NOTE

Error messages

- All status/error messages are lost after a power failure!
- Current error messages can be confirmed by pressing key 4 (horn) briefly or via input DELETE EXT. (page 22).
- We recommend you to carry out a manual analysis after an error message to determine whether the error has been eliminated or not. Further steps as described below.
- If several consecutive faulty measurements have occurred, the LED "POWER" lights and the LED above key 4 (horn) is blinking. In this case press the reset key S1 or switch off/on the instrument to acknowledge the alarm.

Activate the red alarm LED above key 4 (horn) as follows:

LED	Cause
Flashes	<ul style="list-style-type: none"> • Calculation shows that the indicator filling level is zero • No or insufficient indicator in the measuring chamber after dosing • Optical fault • The instrument is operated outside of the specification (e.g. low temperature or with expired indicator)
Illuminates	<ul style="list-style-type: none"> • Indicator filling level is between >0 and 10% • All other errors

Error messages are output via the current interface. The following status/error messages are possible:

Pause	5 mA
Good measurement	8 mA
Poor measurement	11 mA
Low water level	14 mA
Low indicator level < 10% (acknowledgeable by pressing key 4)	17 mA
Indicator is empty (not acknowledgeable) or optical fault or no or insufficient indicator in the measuring chamber or the instrument is operated outside of the specifi- cation (e.g. low temperature or with expired indi- cator)	20 mA

E4	●	90%
E3	●	70%
E2	●	50%
E1	●	30%
	●	10%

The individual errors can be displayed via the LEDs E1 to E4.

- To do so, simultaneously press key 3 (pause) and key 4 (horn) for approx. 2 seconds.

The following errors are displayed for 4 seconds:

LED	Cause	Remedy
E4	Insufficient LED power, insufficient light (or hardware error)	<ul style="list-style-type: none"> ➤ Check whether the water is turbid. Strong turbidity can negatively influence the measurement. ➤ Check whether the measuring chamber/sight glass is soiled. ➤ The sensor or LED might be damaged. ➤ Check whether the water level is too low. ➤ Check whether the measuring chamber and the LED fitting have been installed correctly. These elements can loosen during transport. The measurement is no longer being carried out correctly. ➤ If necessary, carry out a visual adjustment as described in the maintenance instructions for the Testomat® 808.
E3	Excessive LED power, excessive light (or hardware error)	<ul style="list-style-type: none"> ➤ Close the housing cover. The environment is too bright (sunlight), thus negatively influencing the measurement. ➤ The sensor or LED might be damaged. ➤ If necessary, carry out a visual adjustment as described in the maintenance instructions for the Testomat® 808.
E2	Measuring fault analysis	<ul style="list-style-type: none"> ➤ Check whether the indicator bottle is empty. ➤ Does the indicator display match the indicator quantity in the bottle? ➤ Check the indicator. Only use indicators which we have approved for use in the Testomat® 808. Indicators for other Testomat instruments produce erroneous measurements or the error, "MST analysis". ➤ Check whether the stirring bar is present and turns. ➤ Check whether the pump supplies indicator. ➤ Check whether the dosing needle is blocked or its O-ring is damaged. Make sure that the suction and pressure hoses do not draw secondary air. Check the suction lance. Make sure that no air bubbles are escaping from the dosing needle. ➤ Check fuse F3 and replace it. If the fuse continues to trip, replace the pump motor.
E1	Low water level	<ul style="list-style-type: none"> ➤ Make sure the water lines are not leaky. ➤ Are the water lines connected properly? ➤ Are all stop valves in the inlet open? ➤ Ensure there are no foreign particles which caused blocking.

Low water level

The LED above key 4 (horn) illuminates if the water level is low. The low water level is also registered via relay 3. Contacts C and NC are connected for this purpose.

- Press key 4 (horn) or close the contacts of the “Delete externally” input to confirm the alarm.

After confirmation, the LED extinguishes via key 4 and relay 3 is re-activated (contacts C and NO are connected).

NOTE

The alarm is also deleted without it being acknowledged once the low water level has been eliminated after the following analysis.

Measuring fault analysis

- The red alarm LED above key 4 (horn) illuminates if the calculated indicator quantity is between >0 and 10%. This message is only output once and can be acknowledged by short pressing key 4 (horn) at the instrument or a contact via “Delete externally”.
- Both the red alarm LED and the standby LED (via key 3) flash when the calculated indicator quantity is zero. The external inputs “Stop” and “Delete externally” are ignored. You now have to replace the indicator bottle (see the section entitled “[Replacing the indicator bottle](#)” on page 39).
- The LED above key 4 (horn) flashes and the instrument goes into standby mode if the measuring fault is due to lack of indicator. Damaged or bent lines can cause this error. The indicator bottle may also be empty if the indicator level has been set incorrectly.

Further possible instrument errors

Error	Possible causes	Remedies
Instrument not functioning, even though it is switched on	<ul style="list-style-type: none"> – Fuses F1, F2 or F3 defective – Power switch defective – Ribbon cable to controller board or – base circuit board is loose – Error at controller board or base circuit board 	<ul style="list-style-type: none"> ➤ Replace fuses ➤ Replace power switch ➤ Reconnect ribbon cable ➤ Replace controller or base circuit board

Response of a protective circuit

After a protective circuit (fuse) has been tripped, attempt to eliminate the cause of malfunctioning (e.g. replace a defective valve) before reactivating the protective circuit. Frequent tripping is always due to an error which, in certain circumstances, may also cause damage to the instrument.

Malfunctioning/Repairing a defective instrument

The repair of a defective instrument – irrespective of the warranty period - is only possible when the instrument is dismantled and returned to us with a description of the error. Please also inform us about the currently used indicator.

- Before you return the instrument for repair work, remove the bottle and ensure that the measuring chamber has been flushed out and is empty.
- Insert a transportation plug into the outlet pipe to prevent leakage.
- Use the enclosed error log to describe the error and return it to us together with the instrument. If the error log is no longer available, download it at www.heyl.de.

Maintenance

NOTE

Required maintenance measures

- Regular maintenance is necessary to ensure trouble-free operation of the instrument (every six to twelve months)!

At least carry out the maintenance work described in the following section on a regular basis when

- the instrument displays the following error messages:
“Insufficient/Excessive light”, “Low water level” or “Low indicator level”
- the last maintenance was carried out no more than six months ago.

Cleaning measures

- Never use organic solvents to clean the measuring chamber or other plastic parts! Use, e.g., cleaning spirit.
- Always observe the safety regulations when handling cleaning agents!
- As a result of continuous operation, a coloured film may form on the sight-glass windows. Use cleaning spirit to remove this sticky film.



CAUTION

Replace the following components at the respective interval:

Component	Replacement interval
Pump head Motor block	<ul style="list-style-type: none"> • if LED E4 flashes with “pump head maintenance”

Service instructions

The surface of the instrument has not been treated. Therefore, avoid any soiling caused by indicators, oil or grease. However, if the housing becomes soiled, please clean the surface with a commercial plastics cleaner (never use other solvents).

Description of maintenance work

Carry out the maintenance work described below on a regular basis.

	3 months	Semi-annually	Annually
Measuring chamber for cleanliness and tightness (see page 37)	check	check	check

NOTE

Bleeding the lines

- Bleed the lines after each mechanical step to ensure trouble-free operation of the instrument. To achieve this, proceed as described in the section entitled "[Replacing the indicator bottle](#)" on page 39!

Replacing the indicator bottle

If Testomat[®] 808 displays the error message "Low indicator level", replace the indicator bottle (refer to the section entitled "[Error messages/Troubleshooting](#)" on page 34) for information about error messages). Proceed as follows:

- Put the instrument into standby mode. If a measuring process is currently running, wait until it has been completed.
- Proceed as follows to remove the empty indicator bottle: disconnect the intake hose from the hose connector at the top of the indicator bottle and remove the empty bottle.
- Insert the new indicator bottle as described in the section entitled "[Inserting the indicator bottle](#)" on page 28.
- Bleed the lines after inserting a new indicator bottle. To achieve this, press key 1 (manual) for approx. 2 seconds. The dosing pump starts to run.
- Let the pump run until no more bubbles escape from the dosing needle. Then press key 1 (manual) again for approx. 2 seconds to switch off the pump.

NOTE

Correct bottle size

- Make sure that the correct indicator bottle size is set via slide switch T2 (see the section entitled “Slide switch T2” on page 19)!

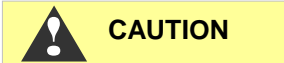
- After bleeding the lines, press key 4 (horn) for approx. 2 seconds to reset the internal analysis counter to 100%.

Resetting the analysis counter

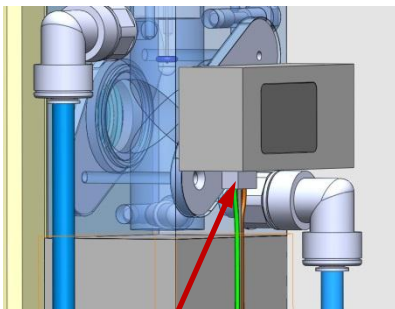
Testomat® 808 automatically calculates the number of analyses depending on the set bottle size.

The instrument cannot measure the actual filling level of the indicator bottle!

- Only reset the analysis counter to 100% after inserting a new indicator bottle!



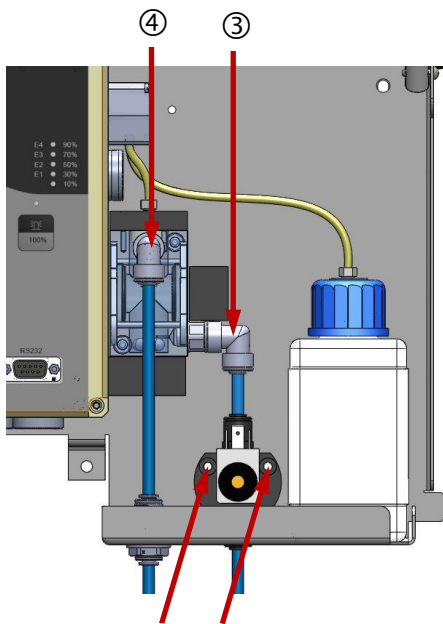
CAUTION



①

Cleaning the measuring chamber and the sight-glass windows

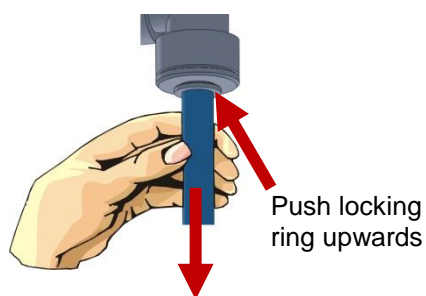
- Switch off the instrument.
- Close the stop valve in the branch line to Testomat® 808.
- Prior to disassembling the measuring chamber, disconnect the cable ① from the LED holder and loosen the pump hose at the hose connector of the measuring chamber.
- You can also remove the indicator bottle to facilitate access.
- Loosen the two screws ② fixing the solenoid valve to the rear panel. Press down the top locking ring of the solenoid valve to allow the valve to be pushed down onto the support.
- Turn the angled hose connector ③ upwards. Press the locking ring of the top angled hose connector ④ upwards and remove the outlet hose.
- Turn this angled hose connector ④ upwards to ensure that any residual water cannot escape from the measuring chamber. Now simply pull the measuring chamber off the retaining bolts towards the front.
- To drain the measuring chamber, turn the bottom angled hose connector ③ downwards and let the residual water drain off.



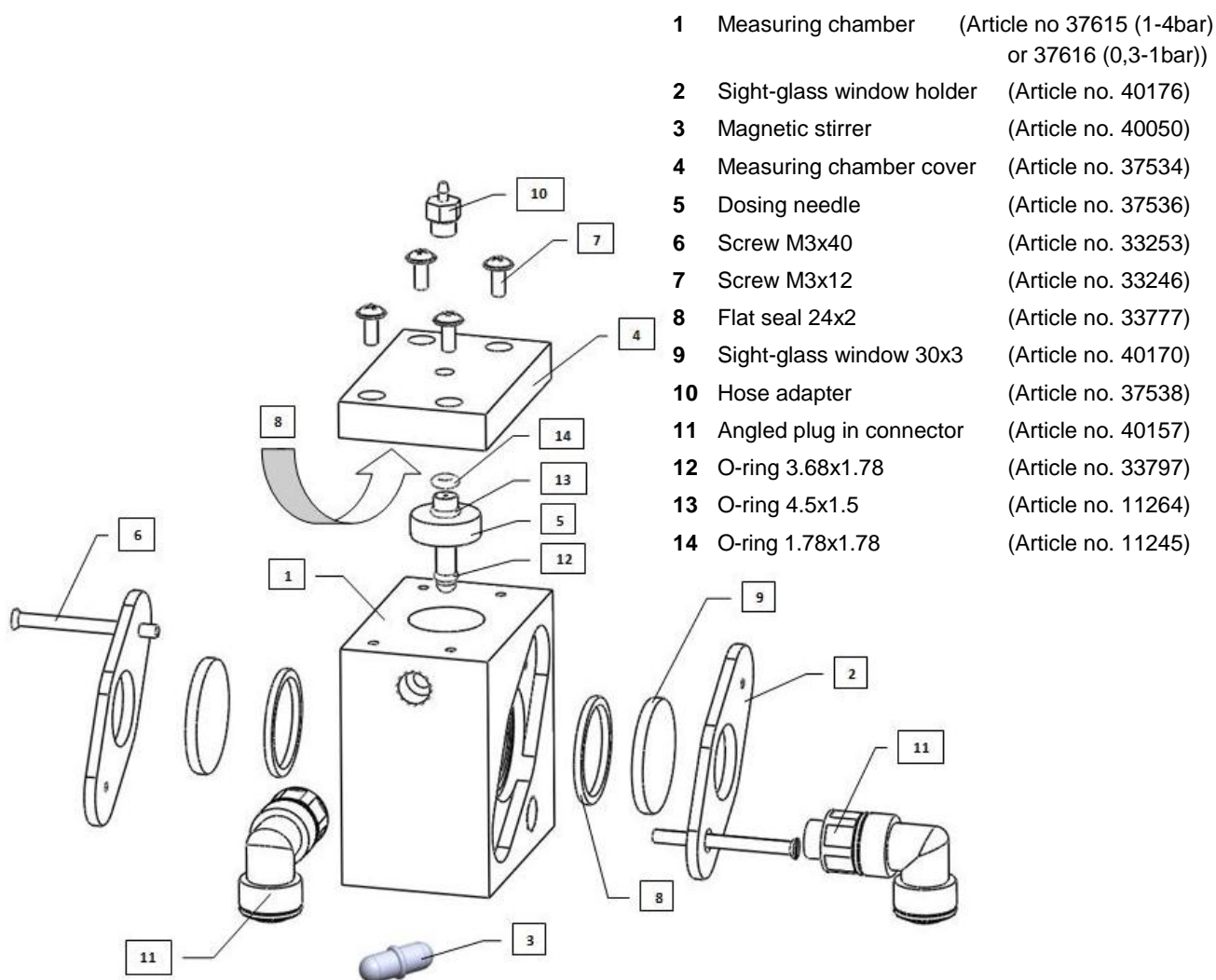
②

Disassemble the measuring chamber as follows for cleaning:

- Loosen the 4 screws (7) of the measuring chamber cover (4) and remove the cover and the flat seal (8).
- Remove the dosing needle (5) from the measuring chamber.
- Loosen 1 screw (6) on each side to remove the sight-glass window holders (2) at the sides of the measuring chamber.



- Remove the sight-glass windows (9) and the respective flat seals (8).
- Use cleaning spirit to clean the film off the sight-glass windows. If the instrument has been used to measure hard water for a longer period of time, a hard-to-remove film may have formed on the sight-glass windows. In this case, clean the sight-glass windows and the measuring chamber as described below.
- Clean the measuring chamber with a cleaning agent suitable for decalcification and rust removal (max. 5 – 10% solution). Flush the measuring chamber thoroughly after cleaning.
- Once the measuring chamber has been fully cleaned, it can be reinstalled. Reassemble in reverse order to disassembly.
- Once all assembly work has been completed, bleed the lines before restarting the instrument (see the section entitled “[Inserting the indicator bottle](#)” on page 28).



Pump head maintenance message

The effective runtime of the pump head is counted during operation. After 150 hours of operation, the LED E4 flashes with the maintenance message for the pump head. This runtime for the pump will be reached during normal operation (analysis interval every 10 minutes) after approx. 2 years or 54000 analyses.

- Switch off the instrument to acknowledge the message.
- Press and hold key 4 (horn) when switching on the instrument. The operating time of the pump head is then reset to 0.

NOTE

Replacing the pump head

We recommend you to replace the pump head when the maintenance message for the pump head is displayed.

The maintenance manual Testomat[®] 808 contains a detailed description of maintenance work.

Motor block maintenance

We recommend that you also replace the motor block each time the pump head is replaced in order to prevent a failure.

Contact your service partner, who can carry out the replacement, or send in the device for maintenance.

Testomat® 808 spare parts and accessories

Caution!

Should you send your Testomat 808 in for maintenance, please make sure that the measuring chamber has been emptied.

Art. no.	Spare parts – measuring chamber
33777	Flat seal 24x2
40170	Sight-glass window 30x3
40176	Sight-glass window holder
33253	Screw M3x40, A2, DIN 965
33246	Screw M3x12
37615	Measuring chamber Testomat 808, complete (1 – 4 bar)
37616	Measuring chamber Testomat 808, complete (0.3 – 1 bar)
37534	Measuring chamber cover
37621	Dosing needle
40050	Magnetic stirrer, processed
40157	Angled plug-in connector G1/8"-6
33797	O-ring 3.68x1.78
11264	O-ring 4.5x1.5
11245	O-ring 1.78x1.78
Art. no.	Spare parts - instrument
32375	Optical board Testomat 808, complete
37322	Controller board Testomat 808, complete
37324	Base circuit board Testomat 808, complete
37568	LED holder Testomat 808, complete
37570	Solenoid valve Testomat 808
37578	Pump head Testomat 808
31592	Fuse, soldered T1.0A
31593	Fuse, soldered T0.8A
31584	Fuse, soldered T0.2A
31595	Fuse, soldered T0.1A
31666	Fuse GS-T, 5x20, T A4
40190	Cable gland 5-7, grey
40191	Cable gland 7-10, grey
37400	Cable loom compl. with power switch and cover
Art. no.	Bottle connection/Suction device
37579	Bottle insert for screw cap and push-fit suction tube, 500 ml bottle
37580	Bottle insert for screw cap and push-fit suction tube, 100 ml bottle
37538	Hose adapter Testomat 808

Art. no.	Special accessories
37583	Candle filter Testomat 808 complete
37584	Filter insert
37593	Plug D = 6
37576	Conversion set for water inlet and water outlet from Testomat BOB to Testomat 808
37602	Pressure regulator, complete for Testomat
270342	Maintenance case Testomat 808*
270351	Service set Testomat 808*
100494	Gear motor for dosing pump
37653	PMMA sight glasses

Accessories - indicators

Indica- tor type	Colour change at a limit value of	Art. no. 100 ml bottle	Art. no. 500 ml bottle
300	0.02°dH = 0.4ppm CaCO ₃ = 0.04°f residual hardness	140001	141001
300 S	0.05°dH = 0.9ppm CaCO ₃ = 0.09°f residual hardness	140002	141002
301	0.1°dH = 1.8ppm CaCO ₃ = 0.18°f residual hardness	140003	141003
302	0.2°dH = 3.6ppm CaCO ₃ = 0.36°f residual hardness	140004	141004
303	0.3°dH = 5.4ppm CaCO ₃ = 0.54°f residual hardness	140005	141005
305	0.5°dH = 9ppm CaCO ₃ = 0.9°f residual hardness	140006	141006
310	1°dH = 18ppm CaCO ₃ = 1.8°f residual hardness	140007	141007
320	2°dH = 36ppm CaCO ₃ = 3.6°f residual hardness	140008	141008
330	3°dH = 54ppm CaCO ₃ = 5.4°f residual hardness	140009	141009
350	3°dH = 90ppm CaCO ₃ = 9.0°f residual hardness	140010	141010


Please refer to our delivery programme for an up-to-date overview of available accessories at www.heyl.de.

NOTE

Bottle connection

Testomat® 808 is delivered with a bottle connection for a 500 ml bottle. Please order a bottle connection for a 100 ml bottle upon request.

Technical data

Power supply:	(24 / 115)* 230V, 50 – 60 Hz Instrument protection 230 – 240 V: T0.1 A Instrument protection: 115 V: T0.2 A Instrument protection: 24 V: T0.8 A
Mains protection for consumers:	max. 4 A (n , l)
Power consumption:	max. 16 VA, without external load
Protection class:	I
Degree of protection:	IP 54
Conformity:	EN 61000-6-2, EN 61000-6-4, EN 61010-1 
Ambient temperature:	10 - 40°C
Measuring range:	See the section entitled "Performance specifications"
Current interface:	Output of defined values (5, 8, 11, 14, 17, 20 mA) for displaying status and error messages, max. load 500 Ohms
Contact load Relay	230V / 4A AC ohm resistive load
Dimensions:	W x H x D = 364 x 314 x 138 mm
Weight:	4,350 g

Mains water supply	
Operating pressure:	0.3 – 1 bar / $0,3 \times 10^5$ to 4×10^5 Pa (use measuring chamber with art. no. 37616!) 1 - 4 bar / 1×10^5 to 4×10^5 Pa depending on design (a pressure reducer (special accessories) should be used from 4 to 8 bar range)
Water inlet:	Opaque hose with 6 mm external diameter/4 mm internal diameter
Water outlet:	Opaque hose with 6 mm external diameter/4 mm internal diameter
Water temperature:	10 to 40°C

We reserve the right to make technical changes without notice in the interest of constantly improving our products!

EC conformity Declaration

EC Conformity Declaration



for the following product

Testomat[®] 808
Online Analysis Instrument for Water Hardness

We hereby confirm that the above product conforms to the principal health and safety regulations laid down in the EC Directives 2004/108/EG and 2006/95/EG. This declaration applies to all units produced in accordance with the attached manufacturing documents which are a constituent part of this declaration.

The product was assessed with reference to the following standards:

EN 61000-6-4: Electromagnetic compatibility, Generic emission standard
EN 61000-6-2: Electromagnetic compatibility, Generic immunity standard
EN 61010-1: Safety requirements for electrical equipment for measurement, control and laboratory use

This declaration is made on behalf of

GEBRÜDER HEYL
Analysentechnik GmbH & Co. KG
Orleansstraße 75b
31135 Hildesheim

by


Jörg-Tilman Heyl
General Manager

Hildesheim, 28/11/2012

Product overview Testomat 2000® - Instruments



Model/Type	Measuring Parameter	Measuring Range	Applications/Functions
Testomat 2000®	<ul style="list-style-type: none"> • Water hardness • Carbonate hardness • p-value • minus-m-value 	0.05-25 °dH 0,5-20 °dH 1-15 mmol/l 0.05-0.5 mmol/l	<ul style="list-style-type: none"> • Universal for water treatment plants • allowed for boiler houses
Testomat 2000® Antox	as Testomat 2000®	as Testomat 2000®	<ul style="list-style-type: none"> • dosing a reducing agent
Testomat 2000® CAL	as Testomat 2000®	as Testomat 2000®	<ul style="list-style-type: none"> • Automatic calibration function
Testomat 2000® CLF	<ul style="list-style-type: none"> • Free Chlorine 	0-2.5 mg/l	<ul style="list-style-type: none"> • DPD-method for swimming pool and drinking water control
Testomat 2000® CLT	<ul style="list-style-type: none"> • Total Chlorine 	0-2.5 mg/l	<ul style="list-style-type: none"> • DPD-method for swimming pool and drinking water control
Testomat 2000® CrVI	<ul style="list-style-type: none"> • Chromate • Chrome-VI 	0-2.0 mg/l 0-1.0 mg/l	<ul style="list-style-type: none"> • process control of waste water in galvanic industry
Testomat 2000® Duo	as Testomat 2000®	as Testomat 2000®	<ul style="list-style-type: none"> • Controlling of two measuring points
Testomat 2000® Fe	<ul style="list-style-type: none"> • Iron-II and Iron-III 	0-1.0 mg/l	<ul style="list-style-type: none"> • De-Ironing plants
Testomat 2000® Polymer	<ul style="list-style-type: none"> • Polyacrylate 	0-50 mg/l	<ul style="list-style-type: none"> • Monitoring of conditioning agents in the cooling and heating cycles
Testomat 2000® SO ₃	<ul style="list-style-type: none"> • Sulphite 	0-20 mg/l	<ul style="list-style-type: none"> • Control of the Oxygen-binding by Sulphite in boiler feed water
Testomat 2000® self clean	as Testomat 2000®	as Testomat 2000®	<ul style="list-style-type: none"> • Automatic cleaning of the measuring chamber
Testomat 2000 THCL®	<ul style="list-style-type: none"> • Total Chlorine • Water hardness 	0-2.5 mg/l 0.25-2.5 °dH	<ul style="list-style-type: none"> • DPD-method for swimming pool and drinking water control • combination system for hardness and chlorine
Testomat 2000® V	<ul style="list-style-type: none"> • Water hardness • Carbonate hardness 	1.0-25.0 °dH 1.0-20.0 °dH	<ul style="list-style-type: none"> • blending water



Información de seguridad importante

- Lea atenta e íntegramente este manual de instrucciones antes de trabajar con el dispositivo.
- Asegúrese de que el manual de instrucciones esté accesible siempre a todos los usuarios.
- Cuando entregue el dispositivo Testomat® 808 a terceros entréguele también este manual de instrucciones.
- Observe las indicaciones de peligro y los consejos de seguridad cuando utilice reactivos, productos químicos y detergentes. ¡Observe la ficha de seguridad correspondiente! Para los reactivos suministrados por nosotros existen fichas de seguridad en Internet en <http://www.heyl.de>.

Uso previsto

El dispositivo Testomat® 808 ha sido concebido para ser utilizado en el tratamiento del agua (p. ej., en plantas de ósmosis, de galvanizado, instalaciones de grandes calderas, tintorerías, grandes instalaciones de cocina). El agua de alimentación tiene que ser clara, incolora y estar libre de partículas no disueltas. Este dispositivo es un medidor de valores límite que monitoriza la dureza residual total del agua (dureza del agua) de forma automática.

- Cumpla los límites de potencia indicados en el capítulo [Datos técnicos](#) en la página 87.
- Observe el ámbito de aplicación/los límites de uso de los indicadores y los requisitos del medio a monitorizar.

El uso correcto incluye el haber leído y comprendido las instrucciones, sobre todo el capítulo "Información de seguridad importante».

Se considera uso no previsto si el dispositivo

- se utiliza para campos de aplicación distintos a los descritos en este manual,
- se utiliza en condiciones de servicio que difieren de las áreas descritas en este manual.

Cualificación del personal

El montaje y la puesta en servicio requieren conocimientos eléctricos y de tecnología de procesos básicos, así como los términos respectivos. Por eso, el montaje y la puesta en servicio solamente pueden ser realizados por un especialista o por una persona instruida bajo supervisión y guía de un especialista.

Se considera especialista a aquella persona que debido a su formación profesional, sus conocimientos y su experiencia, así como sus conocimientos personales puede evaluar los trabajos que se le han encomendado, detectar posibles peligros y tomar las medidas de seguridad adecuadas. Un especialista tiene que cumplir con la normativa profesional vigente.

Advertencias en este manual

En este manual se presentan advertencias delante de las acciones en las que se corre peligro de lesiones o de daños materiales. Las advertencias tienen la siguiente estructura:



SIMBOLOGÍA

Descripción del tipo o bien de la fuente del peligro

Descripción de las consecuencias de la inobservancia

- Indicaciones sobre protección contra peligros. Es imprescindible que cumpla esas medidas de protección.



PELIGRO

La palabra clave «**PELIGRO**» identifica un peligro grave inminente, que con seguridad ocasionará lesiones severas e incluso la muerte si no se evita.



ADVERTENCIA

La palabra clave «**ADVERTENCIA**» identifica un posible peligro que puede conllevar lesiones graves e incluso la muerte si no se evita.



ATENCIÓN

La palabra clave «**ATENCIÓN**» identifica una situación potencialmente peligrosa que puede conllevar lesiones ligeras o de mediana gravedad o daños materiales, si no se evita.



INDICACIÓN

La palabra clave «**INDICACIÓN**» identifica información importante. Si no se observa dicha información pueden ocurrir interferencias en el funcionamiento.

Indicaciones e instrucciones a tener en cuenta

Indicaciones generales



ADVERTENCIA

- Observe las normas de prevención de accidentes, las disposiciones de seguridad sobre la operación de equipos e instalaciones eléctricas y sobre la protección del medio ambiente en el país de uso y en el lugar de montaje.
- Observe las normas nacionales y locales en el montaje y la puesta en servicio.
- Es imprescindible que proteja el dispositivo de la humedad. No debe entrar en contacto con salpicaduras ni agua condensada, bajo ninguna circunstancia.
- No realice ninguna modificación ni manipulación en el dispositivo más allá de las descritas en este manual, de lo contrario perderá todo derecho a garantía.

En el montaje



ADVERTENCIA

- Desconecte la tensión de la piezas relevantes en la planta antes de montar el dispositivo, de conectarlo a la fuente de alimentación o de interrumpir el suministro. Proteja la planta contra la reconexión.

- Conecte el dispositivo tan solo a la tensión de red indicada en la placa de características.
- Observe los datos técnicos y los parámetros del entorno.
- El dispositivo Testomat[®] 808 requiere una tensión de alimentación estable sin interferencias. Utilice, si fuese necesario, un filtro de red para mantener el dispositivo Testomat[®] alejado de las interferencias que pueden acceder a la red, p. ej., por válvulas solenoides o motores grandes. No tienda nunca los conductos de unión paralelos a los conductos de red.

Durante el funcionamiento

- Asegúrese de que no se supera la carga permitida para las salidas de conmutación.
- En caso de mal funcionamiento desconecte inmediatamente el dispositivo Testomat[®] 808 e informe al personal de servicio. No intente nunca reparar usted mismo el dispositivo Testomat[®] 808, eso conlleva la pérdida de la garantía. Encomiende las reparaciones únicamente a personal de servicio autorizado.

En la limpieza

- Utilice únicamente un paño seco que no suelte pelusa.

En el desmontaje

- En un dispositivo defectuoso es imprescindible que anote antes del desmontaje el tipo de fallo (los efectos del fallo). Una reparación (sin importar el plazo de garantía) solamente es posible desmontado y solo con dicha descripción del fallo. Utilice el registro de errores adjunto para describir el fallo y envíe el registro junto con el dispositivo. Si ya no está disponible el registro de errores, puede descargarlo en Internet en www.heyl.de.

En la eliminación

- Elimine el dispositivo siempre según la respectiva legislación nacional vigente.



Requisitos operativos

- ¡Solamente garantizamos un funcionamiento sin contratiempos del dispositivo Testomat[®] 808 si se utilizan indicadores Heyl Testomat[®] y solo para un pH de 4 – 10,5!
- Opere el dispositivo únicamente en los parámetros indicados en los «Datos técnicos».
- En los dispositivos Testomat[®] para monitorizar la dureza del agua, grandes cantidades de iones de metales pesados en el agua desmineralizada pueden influir en la reacción de color, sobre todo cantidades de hierro superiores a 0,5 mg/l, de cobre superiores a 0,1 mg/l y de aluminio superiores a 0,1 mg/l (visualización rojo parduzco).

- Si el agua de medición contiene más de 20 mg/l CO₂ (anhídrido carbónico) no podemos excluir valoraciones erróneas. En ese caso utilice un chorreador (p. ej., accesorios especiales de la empr. Heyl).
- Las concentraciones de componentes perturbadores se pueden determinar con los instrumentales de medición colorimétricos TESTOVAL[®] de la empr. Heyl.
- **¡Importante! Con un alto porcentaje de dureza por carbonatos y también con la presencia de desinfectantes en el agua se pueden obtener valoraciones erróneas.**
- Cambie las mirillas de vidrio por mirillas de PMMA (Artículo N° 37653) cuando el contenido de silicato en el agua de medición sea > 15 mg/l y se deposite una lámina blanca sobre las mirillas de vidrio
- ¡Un manejo cuidadoso del dispositivo aumenta la seguridad de servicio y la vida útil! Por eso debe realizar en intervalos regulares un control visual en el dispositivo como se indica a continuación:
 - ¿Se ha superado la fecha de caducidad del indicador?
 - ¿Están estancas las conexiones de manguera de la bomba dosificadora?
 - ¿Hay aire en las mangueras de dosificación?
 - ¿Son estancas todas las conexiones de agua?
 - ¿Está bien cerrada la puerta del dispositivo?
 - ¿Está el dispositivo demasiado sucio?
 - ¿Están limpios la cámara de medición y el canal/la manguera de desagüe?
- ¡Solamente es posible un funcionamiento sin contratiempos con un mantenimiento regular! Encontrará las instrucciones de mantenimiento y de cuidado en el capítulo «[Cuidado y mantenimiento](#)» en la página 80.
- Encontrará indicaciones para problemas en el capítulo «[Mensajes de error/Ayuda para fallos](#)» en la página 76.

Volumen de suministro

1 Testomat[®] 808

1 bolsa de plástico con 1 cierre roscado con orificio e inserto para el cierre roscado de la botella de indicador (500 ml)

2 fusibles

1 manual de instrucciones

Accesorios especiales (disponibles por separado): Elemento filtrante, filtro de bujía y regulador de presión

Bajo petición, puede adquirir de la empr. Heyl uniones de manguera y conductos de alimentación para el Testomat[®] 808.

Descripción del trabajo

El ámbito de aplicación del Testomat® 808 es la monitorización automática de la dureza total-residual (dureza del agua) en el agua. El valor límite a supervisar se determina con la selección del indicador.

- Valores límite para una dureza residual de 0,02 – 3,0 °dH* determinable mediante la selección del indicador
- Activación del análisis:
 - Modo de intervalo automático (pausa entre intervalos regulable de 0 – 60 minutos)
 - Activación externa
 - Inicio manual
- Largos tiempos de servicio con un depósito de indicador de 500 ml
- Interfaz RS232 para actualizar óptimamente el firmware

Indicadores disponibles para los dispositivos Testomat® 808

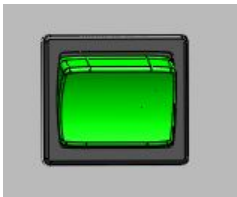
Para la operación de los dispositivos Testomat® 808 tiene a disposición diferentes indicadores con distintos valores límite, en función de las necesidades operativas.

Tipo de indicador	Rango de supervisión	LEDs de valor límite (Indicación Correcta / Incorrecta)	Resultado de la medición (Mensaje sobre la calidad del agua)
300 – 350	Dureza residual 0,02 – 5 °dH	«CORRECTO» verde	Dureza residual < valor límite del indicador
		«INCORRECTO» rojo	Dureza residual > valor límite del indicador

Todos los indicadores se ofrecen con dos tamaños de recipiente (100 ml y 500 ml). Puede consultar una lista detallada de los tipos individuales de indicador con el respectivo número de artículo en el apartado «[Piezas de repuesto y accesorios del Testomat® 808](#)» en la página 85.

Funciones de los elementos de mando y visualización

Los estados operativos y los resultados de las mediciones se muestran con diodos luminosos en el Testomat® 808. Debajo de los diodos luminosos están las teclas de indicación para el manejo del dispositivo.



Encender / apagar el dispositivo Testomat® 808

(3) Interruptor de alimentación

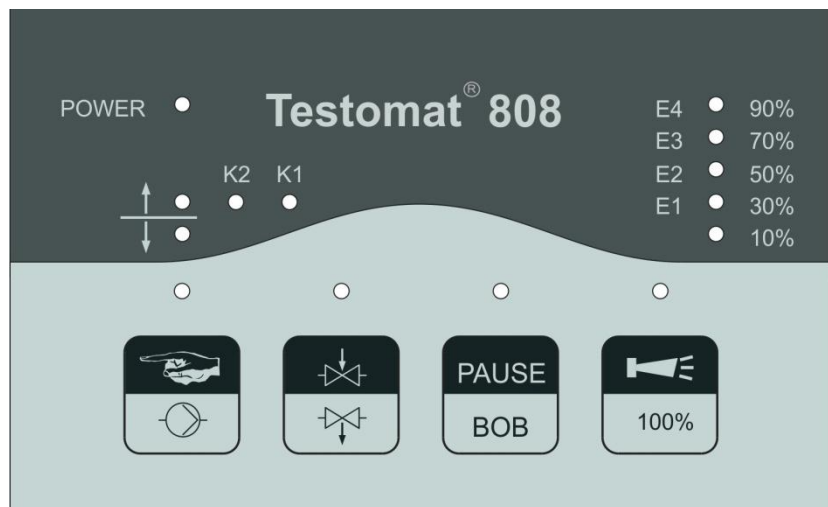
Con el interruptor verde de alimentación (accesible en la parte delantera tras abrir la compuerta de la carcasa) puede encender o apagar el dispositivo.

(4) Fusible del dispositivo (interno)

Esos fusibles protegen el dispositivo Testomat® 808 o las salidas frente sobrecargas y cortocircuitos.


Puede consultar las descripciones de los fusibles en «Fusibles» en la página 63 y en «[Piezas de repuesto y accesorios del Testomat® 808](#)» en la página 85.

Vista delantera del Testomat® 808



Elementos de mando / Teclas de función

Todos los elementos de mando / las teclas de función tienen una asignación doble. La función respectiva se activa con una pulsación breve o larga (como mín. 2 segundos).

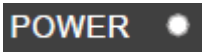


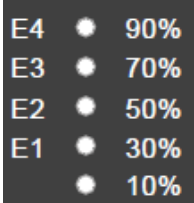
<p>Tecla 1 (manual)</p> 	<p><u>Pulsación breve:</u> Activa un análisis (inicio manual), el LED correspondiente parpadea. <u>Pulsación larga*:</u> Enciende/apaga la bomba dosificadora para purgar las mangueras. El LED brilla mientras la bomba está en marcha.</p>
<p>Tecla 2 (lavado)</p> 	<p><u>Pulsación breve*:</u> Enciende/apaga la válvula de lavado interna, el LED correspondiente parpadea mientras la válvula esté abierta. <u>Pulsación larga*:</u> Activa una válvula de lavado externa vía relé 1 (encender/apagar). El LED sobre la tecla 2 y el LED K1 brillan, mientras se active la válvula externa.</p>
<p>Tecla 3 (pausa)</p> 	<p><u>Pulsación breve:</u> Enciende/apaga la función de pausa. Cuando la pausa está activa el LED correspondiente brilla. <u>Pulsación larga:</u> Muestra vía el LED correspondiente si el funcionamiento es posible más de 72 h (funcionamiento sin supervisión).</p>
<p>Tecla 4 (bocina)</p> 	<p><u>Pulsación breve:</u> Confirma los fallos/las alarmas pendientes. <u>Pulsación larga:</u> Establece la visualización del indicador de 0 % a 100 % (los LED de 10 % a 90 % brillan). Aviso: No es posible indicar un estado cualquiera del indicador.</p>

* solo posible en el modo de pausa

Elementos de visualización / LEDs

Todos los resultados de mediciones y las funciones activadas se muestran en el Testomat® 808 con diodos luminosos.

Los LED situados sobre las teclas de función brillan/parpadean cuando la función respectiva está activada.

	<p>El LED brilla cuando el dispositivo se enciende con el interruptor de alimentación situado en la parte frontal y está operativo.</p>
	<p>LEDs de valor límite (rojo/verde) para visualizar el resultado de la medición: valor límite no alcanzado => el LED verde brilla valor límite excedido => el LED rojo brilla Cuando se está realizando una nueva medición el resultado de la medición anterior se muestra parpadeante.</p>
	<p>Los LED K1 y K2 muestran el estado del relé. ¡Brillan cuando el relé respectivo se ha activado (véase también el apartado «Funciones de conmutación de los relés 1 y 2» en la página 26)!</p>
	<p>10% – 90%: Estos LED muestran el estado de llenado calculado de la botella de indicador (véase también el apartado «Análisis del fallo de medición» en la página 79). E4 – E1: Con esos LED se muestran los errores pendientes (véase también el apartado «Alarma/Mensaje de error/Relé 3» en la página 76) pulsando las teclas (pulsar a la vez las teclas 3 y 4 durante 2 segundos). E4 parpadea: La Cabeza de la bomba posee un tiempo de ejecución de 150 horas y debe ser sustituida (véase el apartado «Mensaje de mantenimiento para la cabeza de la bomba» en la página 83)</p>

INDICACIÓN

Tratamiento de mensajes de error / advertencias

- Subsane los mensajes confirmando con la tecla 4 elimine, de ser necesario, el origen del fallo.



Montaje



¡Peligro por un montaje defectuoso!

- Monte el dispositivo Testomat® 808 en un lugar protegido frente a gotas de agua y salpicaduras, del polvo y de sustancias agresivas, p. ej., en un armario de distribución o en una pared adecuada.

INDICACIÓN

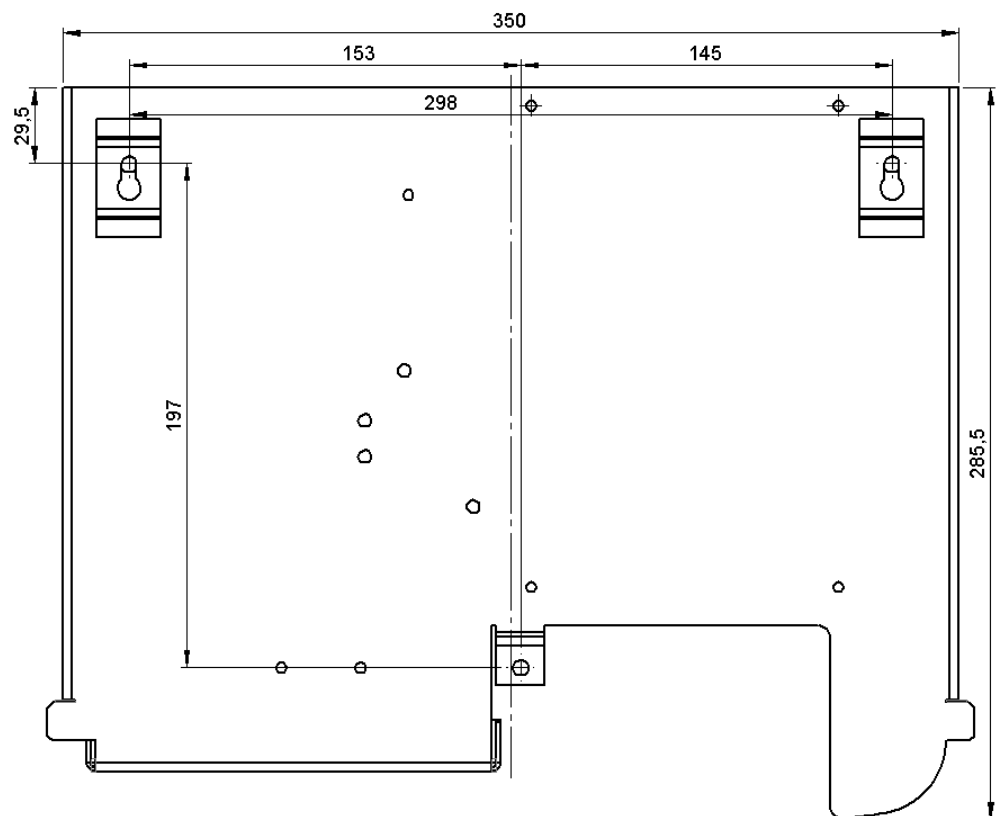
Indicaciones para un funcionamiento sin problemas

- Monte el dispositivo Testomat® 808 en vertical y sin tensiones mecánicas.
- Monte el dispositivo Testomat® 808 en un lugar sin vibraciones.

Montaje del Testomat® 808

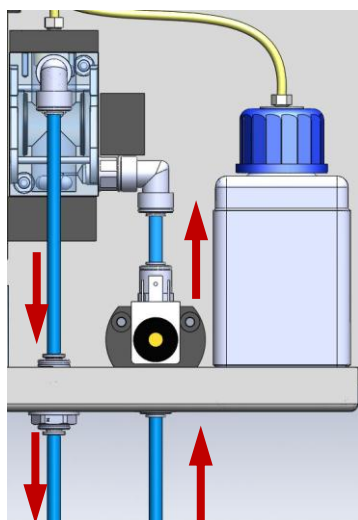
Seleccione un lugar de instalación en la que las mangueras de agua puedan ser los más cortas posibles (máx. 5 m)

- Taladre orificios de sujeción tal como se indica en el esquema de abajo.
- Sujete el dispositivo con tres tornillos en un lugar adecuado de la pared.





INDICACIÓN



Desagüe Alimentación



Uso del Testomat[®] 808 en el rango de presión de 4 a 8 bares

Controle antes del montaje si es necesaria una adaptación a una presión de servicio mayor (a partir de 4 – 8 bares). En el rango situado entre 4 y 8 bares hay que utilizar un regulador de presión (Art.-N.º 37602) . El Testomat[®] 808 trabaja óptimamente con una presión de servicio de 2 – 4 bares.

Indicaciones para un funcionamiento sin problemas

- La presión del agua tiene que estar en un rango de 1 a 8 bares, teniendo en cuenta que para el rango de entre 4 y 8 bares es obligatorio usar un regulador de presión (accesorio especial). ¡Ese regulador de presión tiene que ajustarse a la presión del caudal!
- Debe evitar grandes variaciones de presión.

Conexión de la alimentación y desagüe

Indicaciones para un funcionamiento sin problemas

- Asegúrese de que no hay ningún bloqueo por partículas externas de un tamaño superior a 150 µm. Utilice nuestro prefiltro (Art.-N.º 37583) antes del dispositivo si tuviese problemas con bloqueos.
- La temperatura del agua de medición tiene que estar entre 10 °C y 40 °C.
- Si la temperatura del agua fuese superior a 40 °C, deberá montar un radiador tipo KCN en el conducto de alimentación del Testomat[®] 808.

Alimentación de agua

El agua de medición se extrae del conducto principal de la planta de tratamiento de agua y se introduce en la boquilla de alimentación del Testomat[®] 808. El dispositivo está equipado de serie con una conexión insertable para mangueras de plástico de 6/4 x 1 (diámetro externo 6 mm/ diámetro interno 4 mm, grosor de pared 1 mm).

- Ponga la conexión del Testomat[®] 808 para el conducto de corriente secundaria directamente en el conducto principal de agua justo detrás de la planta de tratamiento de agua.
- Es imprescindible que pase la conexión en vertical hacia arriba, para evitar que se transporten partículas de suciedad de la tubería principal de agua al dispositivo.
- Se recomienda montar en el conducto de corriente secundaria al Testomat[®] 808 una válvula de bloqueo manual (véase figura «Plant example Testomat[®] 808» en la página 17).
- Utilice para la alimentación de agua ① una manguera de presión de plástico traslúcida 6/4 x 1 (longitud máx. 5 m).

- Enjuague el conducto de alimentación para eliminar las partículas de suciedad.



ATENCIÓN

Utilizando un radiador

- **El agua caliente puede ocasionar quemaduras y daños en las piezas del Testomat® 808 en contacto con agua.**

Desagüe

El agua introducida es guiada a la canalización por las cámaras de medición por medio de la manguera de aspiración.

- Retire el tapón de cierre rojo de la boquilla de desagüe.
- Conecte la boquilla de desagüe del Testomat® 808 con una manguera ② (diámetro interior 4 mm).
- Lleve la manguera a un desagüe.

INDICACIÓN

¡Seguro de transporte!

Para proteger frente a pérdidas, el desagüe se bloquea durante el transporte con un tapón de cierre. Guarde este tapón por si tuviera que transportar alguna vez el dispositivo.

Conexión de la tensión de red y de los dispositivos



ADVERTENCIA

¡Peligro de lesiones por montaje bajo tensión!

Si no desconecta la fuente de alimentación antes de comenzar el montaje, puede lesionarse, destruir el producto o dañar piezas de la planta.

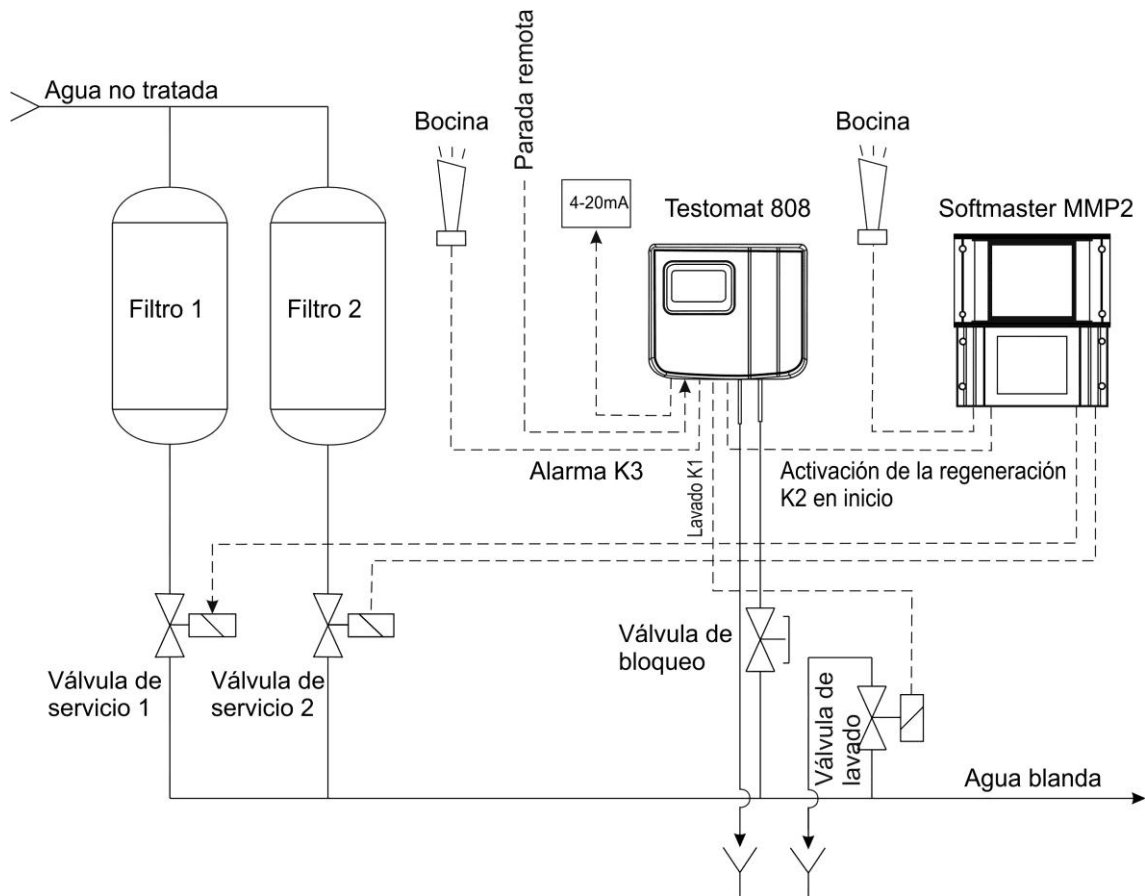
- Elimine la tensión de las piezas relevantes de la planta antes de montar el dispositivo Testomat® 808.
- Utilice para la conexión únicamente conductos homologados con una sección suficiente.

INDICACIÓN

¡Peligro de daños por campos electromagnéticos!

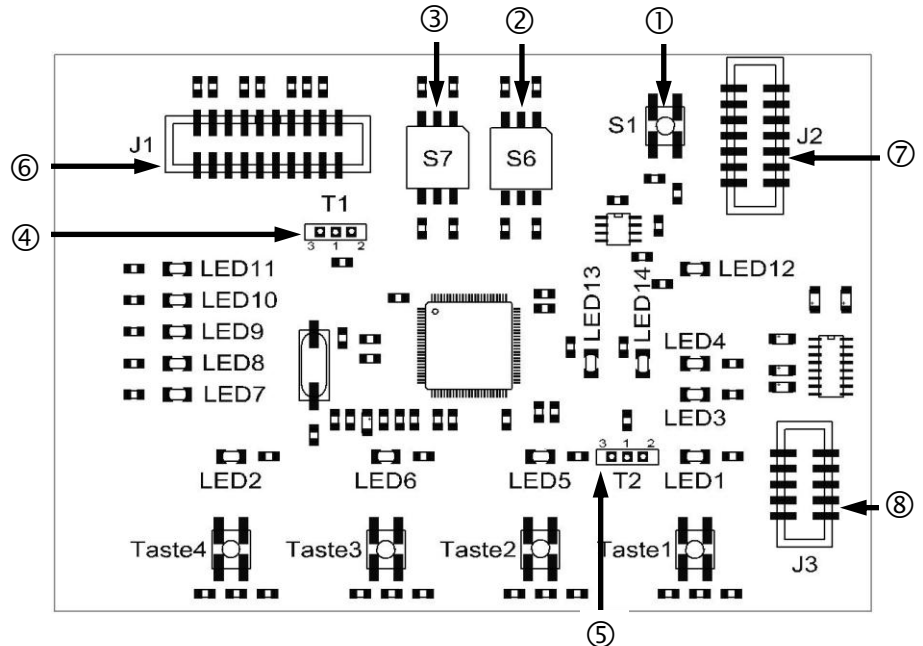
- Si monta el dispositivo Testomat® 808 o los conductos de unión paralelos a los conductos de red, o si los monta cerca de campos electromagnéticos potentes, puede dañar el dispositivo o puede producirse un fallo en la medición.
 - Mantenga los conductos de unión lo más cortos posible.
 - Tienda los conductos de unión y los conductos de red separados.
 - Conecte el dispositivo con el conector de protección (a 230/115 V CA).
 - Aísle el dispositivo de campos electromagnéticos potentes.
-

Ejemplo de una planta con Testomat® 808



Estructura interna del Testomat® 808

Parte trasera de la placa del controlador



Las teclas 1 a 4 se encuentran en la parte delantera de la placa. Puede consultar una descripción detallada de su sistema de mando y también de los elementos de visualización en el apartado «[Funciones de los elementos de mando y visualización](#)» en la página 10.

Además también se han previsto los siguientes interruptores funcionales y deslizantes, así como conectores enchufables:

Tecla de restauración S1

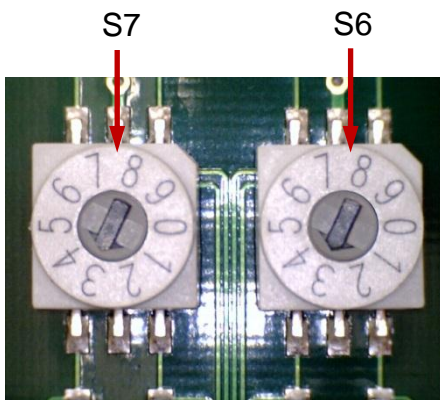
La tecla de restauración S1 ① se utiliza para realizar un reinicio, es decir, restablecer el firmware del dispositivo Testomat® 808 tras una actualización.

Interruptor de función S6

El interruptor de función S6 ② se emplea para regular la pausa de los intervalos entre las mediciones. Puede consultar un resumen de las posibles posiciones de conmutación y las pausas de intervalos en el apartado «[Pausa entre intervalos](#)» en la página 75. (El ajuste básico es 3).

Interruptor de función S7

Con el interruptor de función S7 ③ se regula el comportamiento de conmutación de los relés 1 y 2. Puede consultar un resumen de las posibles posiciones de conmutación y las pausas de intervalos en el apartado «[Funciones de conmutación de los relés 1 y 2](#)» en la página 26. (El ajuste básico es 3.)



INDICACIÓN

Posición del interruptor a la izquierda (estado

Posición del interruptor

- La posición del interruptor se lee tras la evaluación de un resultado de medición y tras un reinicio.

Interruptor deslizable T1

Posición del interruptor A LA IZQUIERDA: Cuando el interruptor deslizable está ④ en la posición izquierda y el dispositivo se enciende o estando encendido se acciona la tecla restauración, el microcontrolador ejecuta el programa de servicio (firmware).

Posición del interruptor A LA DERECHA: Cuando el interruptor deslizable está ④ en la posición derecha y el dispositivo se enciende o estando encendido se acciona la tecla restauración, el dispositivo pasa a un modo que permite ejecutar una actualización del firmware por una interfaz de serie.

Si fuese necesario actualizar el firmware de su dispositivo, recibirá información detallada de la empr. Heyl.

INDICACIÓN

Posición del interruptor a la derecha (estado

Posición del interruptor

- La posición del interruptor solamente se lee directamente después de un reinicio.

Interruptor deslizable T2

El interruptor deslizable T2 ⑤ es el interruptor para la determinación del tamaño del recipiente de indicador. Son posibles los siguientes tamaños de recipiente:

Indicador	Posición del interruptor
Botella de 100 ml	a la izquierda
Botella de 500 ml	a la derecha

INDICACIÓN**Posición del interruptor**

- El estado del interruptor deslizable T2 se lee tras restablecer la visualización del indicador a 100 % y tras un reinicio.

Conector enchufable J1

El conector enchufable J1 ⑥ es una interfaz para programación. No es importante para el manejo del dispositivo.

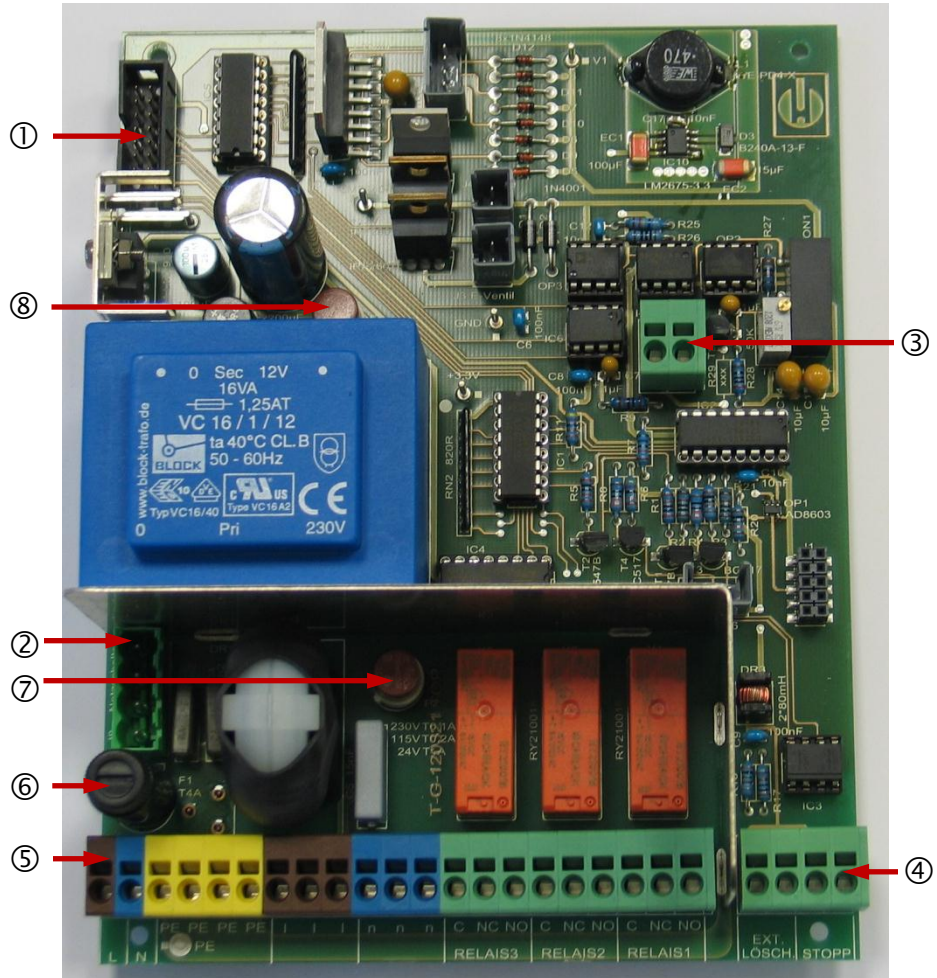
Conector enchufable J2

Con el conector enchufable J2 ⑦ se establece la unión a la placa base con un cable plano.

Conector enchufable J3

Con el conector enchufable J3 ⑧ se establece la unión a la interfaz RS232 con un cable plano. Puede consultar una descripción detallada en el apartado «[Interfaz de serie RS232](#)» en la página 68.

Placa base Testomat 808



La figura más arriba presenta un resumen sobre la estructura de la placa base.

Conector enchufable J2

Por medio del conector enchufable J2 ① se establece la unión a la placa del controlador con un cable plano.

Conector enchufable J8

En el conector enchufable J8 ② se conecta el interruptor de alimentación.

Interfaz de corriente

Puede consultar la descripción de la interfaz de corriente ③ en el apartado «Interfases»

» en la página 25.

Entradas EXT. BORRADO y PARADA

Puede consultar la descripción de las entradas «Borrado externo» y «Parada» ④ en el apartado «[Descripción de las entradas de señal](#)» en la página 24.

Regleta de bornes

Puede consultar la descripción de la regleta de bornes ⑤ en los siguientes apartados «[Conexión de la tensión de red](#)» en la página 64 y «[Conexión de entradas y salidas](#)» en la página 22.

Fusibles

Los siguientes fusibles están en la placa base.

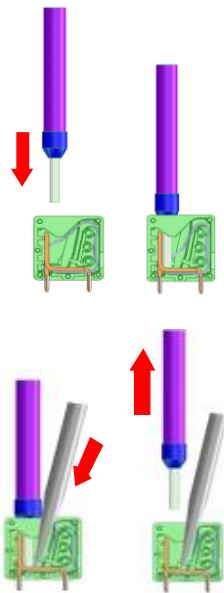
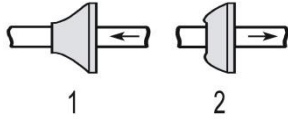


N.º	Denominación	Función	Comentario
⑥	F1	Fusible para proteger el relé	4 A
⑦	F2	Fusible primario	230 V / 0,1 A 115 V / 0,2 A 24 V / 1 A
⑧	F3	Fusible secundario	1 A

Puede consultar los números de artículo para realizar un pedido en el apartado «[Piezas de repuesto y accesorios del Testomat® 808](#)» en la página 85.

Conexión de la tensión de red

Conecte el dispositivo solamente a la tensión de red prevista. Puede consultar la tensión de red en la placa de características. Para conectar el cable proceda como se describe a continuación:



- Tras abrir la compuerta de la carcasa, suelte ambos tornillos de sujeción encima y debajo de la puerta del interior del Testomat® 808. Ahora puede abrir la puerta, la cámara de bornes está accesible.
- Pase el cable por uno de los pasacables en la parte inferior de la carcasa hacia la cámara de bornes.
- Para ello atravesese los pasacables de goma necesarios con un destornillador y guíe el cable por el manguito hacia la cámara de bornes (1)
- A continuación debe tirar del cable hasta que esté cubierto por el manguito (2)
- Conecte la tensión de alimentación a los bornes PE, N, L.
- Para ello introduzca los conductores en los embudos redondos de cable en la regleta de bornes. Preste atención a que los hilos estén bien asentados en los bornes.
- Para soltar la unión pase un destornillador en el orificio angular sin ejercer fuerza lateral, para abrir la zona del borne. Extraiga el conductor con el borne abierto.

Denominación de los bornes	Tipo	Función	Comentario
PE	IN	Contacto de tierra de la red (4x)	¡Solo en redes de 115/230 V!
N (U) L (V)	IN	Red, N=neutro (U=24 V) Red, L=fase (V=24 V)	Entrada de red 50-60 Hz 24 V / 115 V / 230 V
n l	OUT	Neutro, conectado (3x) Fase, conectado (3x)	Red para consumidor, máx. 4 A

L	N	PE	PE	PE	PE	l	l	l	n	n	n	C	NC	NO	C	NC	NO	C	NC	NO	EXT.	LÖSCH.	STOPP		
			PE PE PE PE										RELAIS3			RELAIS2			RELAIS1						

Conexión de entradas y salidas



ATENCIÓN

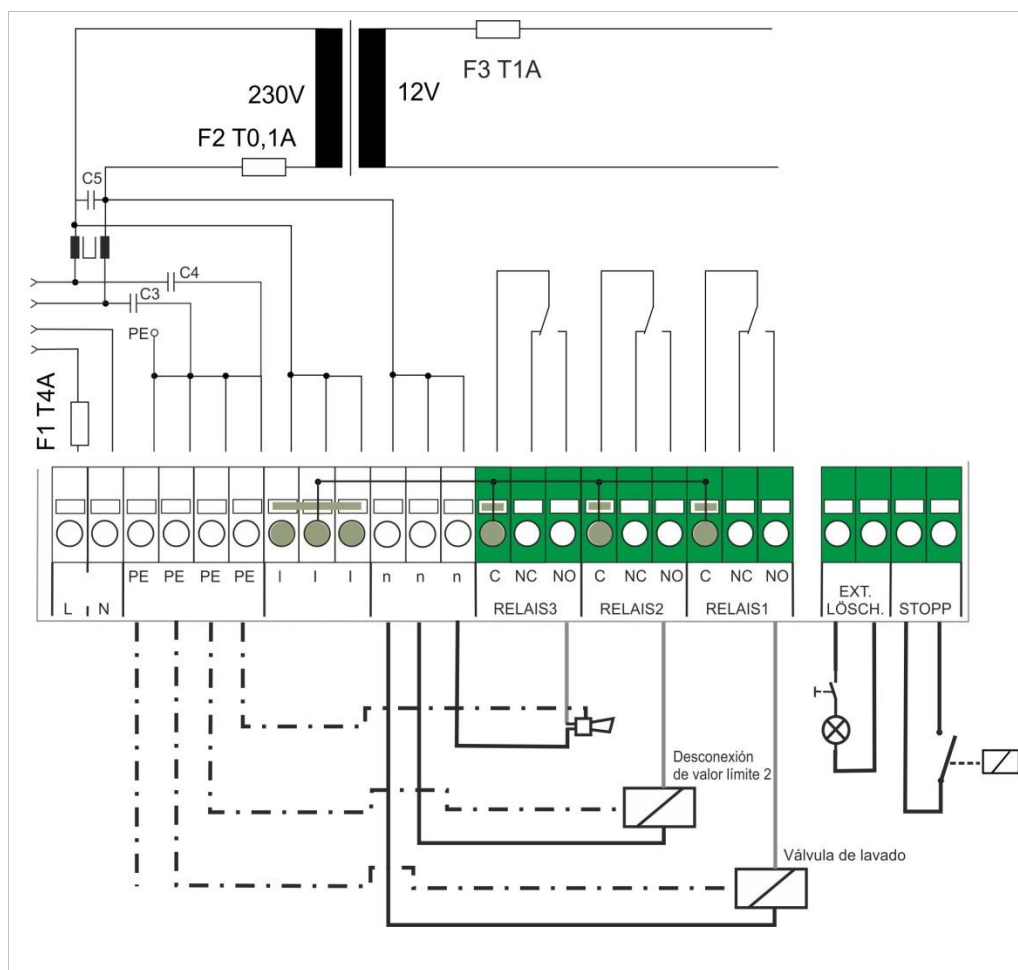
Al conectar las entradas

- ¡No aplique tensión externa a estas conexiones!

Para las funciones de mando y de supervisión el dispositivo Testomat® 808 dispone de las conexiones descritas a continuación.

- Preste atención a que los hilos estén bien asentados en los bornes.
- Después de la instalación vuelva a cerrar la puerta con los dos tornillos de sujeción.

Denominación de los bornes	Tipo	Función	Comentario
RELÉ 3	OUT	Salida de mensaje de fallo – Contacto inversor	Salida de relé sin potencial*
RELÉ 2	OUT	Activación para evaluación externa	Salida de relé sin potencial*
RELÉ 1	OUT	Activación para válvula de lavado externa	Salida de relé sin potencial*
BORRADO EXT.	IN	Entrada mensaje de confirmación – Cerrador	Entrada sin potencial
PARADA	IN	Caudalímetro / entrada de interruptor – Cerrador	Entrada sin potencial



* Véase la carga máxima de contacto del relé en «[Datos técnicos](#)» en la página 87

Puede consultar la descripción detallada en «[Descripción de las entradas de señal](#)» en la página 67 o bien «[Descripción de las salidas de relé](#)» en la página 68.

Descripción de las entradas de señal



**BORRADO
EXT.**

PARADA
Bornes

INDICACIÓN

Modo de conexión de las entradas de señal

- ¡Conecte las entradas de señal «Borrado externo» y «parada» solamente con contactos libre de potencial!
- ¡Una conexión con tensión externa producirá daños al dispositivo!

BORRADO EXT. del relé 3

La entrada «Borrado externo» se emplea para borrar/confirmar desde fuera errores/alarmas pendientes. Se comporta igual que la tecla 4 (bocina) con una pulsación breve, es decir, todos los mensajes de fallo se pueden confirmar también por medio de un control a distancia (cerrador).

PARADA

La entrada «Parada» es la entrada para un caudalímetro externo o un interruptor externo (cerrador, sin potencial). Se comporta igual que la tecla 3 (pausa) con una pulsación breve. El LED sobre la tecla 3 parpadea y el equipo ya no realiza ningún análisis más. Pero se detendrá cualquier análisis en curso.

Prioridad de la entrada «Parada»

- ¡La función de parada tiene prioridad frente a la tecla 3 (pausa)!
- Cuando la función de pausa (tecla 3) se activa durante una pausa entre análisis y después se desactiva de nuevo, se aplica de nuevo el tiempo de pausa entre intervalos. No obstante, si se finaliza la función de pausa por medio de la entrada «Parada», el análisis se inicia sin demora.

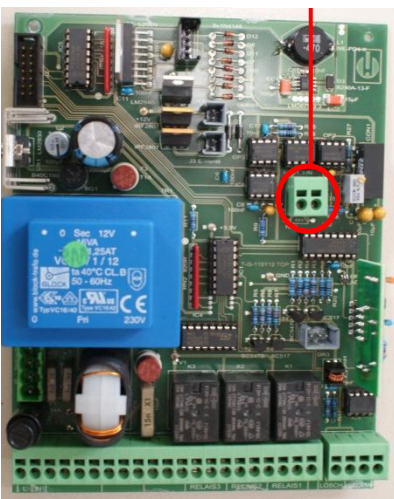
Interfaces

Interfaz de corriente

Por medio de la salida de la interfaz de corriente (I-OUT (+) / I-IN (-)) se pueden registrar los resultados de los análisis o los estados. Para ello se emiten los siguientes valores definidos para los mensajes de estado y de error:

- 5 mA = Pausa
- 8 mA = Medición correcta
- 11 mA = Medición incorrecta
- 14 mA = Escasez de agua
- 17 mA = Escasez de indicador (< 10 %)
- 20 mA = Indicador vacío o fallo en el sensor óptico o muy poco o ningún indicador en la cámara de medición

I-OUT / I-IN



INDICACIÓN

Carga de la interfaz de corriente

- La interfaz de corriente está desacoplada galvánicamente. ¡No se debe superar una carga máxima de 500 ohmios!

En caso de fallos y de conductos demasiado largos (aprox. 20 m) debe utilizarse, a ser posible, un cable blindado.



Interfaz de serie RS232

En la parte delantera del Testomat® 808 (después de abrir la compuerta de la carcasa) está la interfaz de serie RS232. La unión del conector J3 en la placa del controlador y la RS232 se realiza con un cable plano con un conector sub D de 9 polos. Por medio de esa interfaz RS232 se puede conectar un ordenador/portátil con un cable de módem nulo en la placa del controlador del Testomat® 808 y actualizar el firmware del dispositivo.

Descripción de las salidas de relé

Todas las salidas de relé han sido diseñadas como contactos neutros. Con ello dispone de todas las conexiones posibles. De esta forma se puede llevar a cabo la conexión de tensión de red, tensión externa y la conexión directa de entradas, p. ej., un control de procesos. Puede consultar la carga máxima del relé en el capítulo «[Datos técnicos](#)» en la página 87.

Relé 3 – Mensaje de fallo

El relé 3 está tendido como un contacto inversor y se emplea para notificar fallos en caso de escasez de agua, escasez de indicador, cortes de electricidad y errores de medición.

INDICACIÓN



Interruptor de función S7

INDICACIÓN

Tras varias mediciones fallidas consecutivas el relé 3 se activa y se emite un mensaje de error a través de la interfaz de corriente.

Relés 1 y 2

Se dispone de dos contactos del relé sin potencial para notificar que se ha excedido el valor límite. La función del relé se puede regular con la posición del interruptor de función S7.

Funciones de conmutación de los relés 1 y 2

Posición del interruptor

- La posición del interruptor se lee, respectivamente, tras la evaluación de un resultado de medición y tras un reinicio.
-

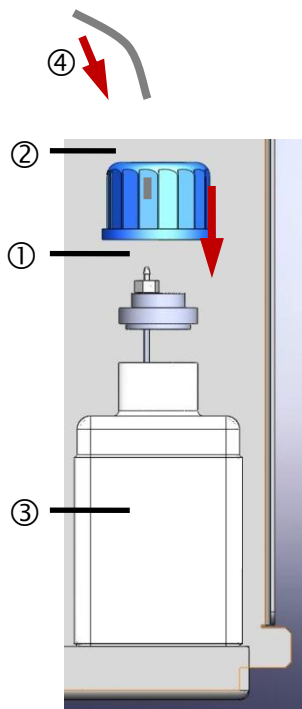
Se han previsto las siguientes posiciones del interruptor:

Posición del interruptor	Relé 2 (mensaje análisis incorrecto)	Relé 1 (lavado externo)	Comentario para el relé 2
0	Cerrador – se cierra con el 1º análisis incorrecto, permanece cerrado hasta el próximo análisis correcto	Cerrador – se cierra tras el análisis incorrecto durante 1 min.	El contacto permanente se puede borrar con la tecla 4 (bocina) o «Borrado externo».
1	Cerrador – se cierra con el 1º análisis incorrecto, permanece cerrado hasta el próximo análisis correcto	Cerrador – se cierra tras el análisis incorrecto durante 3 min.	El contacto permanente se puede borrar con la tecla 4 (bocina) o «Borrado externo».
2	Cerrador – se cierra tras 2 análisis incorrectos, permanece cerrado hasta el próximo análisis correcto	Cerrador – se cierra tras el primer análisis incorrecto durante 1 min y tras el segundo análisis incorrecto durante 2 min.	El contacto permanente se puede borrar con la tecla 4 (bocina) o «Borrado externo». El dispositivo aplica tras el 1º análisis incorrecto la pausa entre intervalos.
3*	Cerrador – se cierra tras 3 análisis incorrectos, permanece cerrado hasta el próximo análisis correcto	Cerrador – se cierra tras el primer análisis incorrecto durante 1 min, tras el segundo análisis incorrecto durante 2 min y tras el tercer análisis incorrecto durante 3 min.	El contacto permanente se puede borrar con la tecla 4 (bocina) o «Borrado externo». El dispositivo aplica tras el 1º y el 2º análisis incorrecto la pausa entre intervalos
4	Cerrador – se cierra con el 1º análisis incorrecto y permanece cerrado. Se abre de nuevo tras borrar la alarma		El dispositivo pasa a estado de pausa. El contacto permanente se puede borrar con la tecla 4 (bocina) o «Borrado externo».
5	Cerrador – se cierra tras 2 análisis incorrectos y permanece cerrado; Se abre de nuevo tras borrar la alarma	Cerrador – se cierra tras el primer análisis incorrecto durante 1 min.	El dispositivo pasa a estado de pausa. El contacto permanente se puede borrar con la tecla 4 (bocina) o «Borrado externo». El dispositivo aplica tras el 1º análisis incorrecto la pausa entre intervalos.
6	Cerrador – se cierra tras 3 análisis incorrectos y permanece cerrado; Se abre de nuevo tras borrar la alarma	Cerrador – se cierra tras el primer análisis incorrecto durante 1 min y tras el segundo análisis incorrecto durante 2 min.	El dispositivo pasa a estado de pausa. El contacto permanente se puede borrar con la tecla 4 (bocina) o «Borrado externo». El dispositivo aplica tras el 1º y el 2º análisis incorrecto la pausa entre intervalos.
7	Cerrador – se cierra con el 1º análisis incorrecto, permanece cerrado hasta el próximo análisis correcto	Cerrador – se cierra durante 90 s antes del análisis	El contacto permanente se puede borrar con la tecla 4 (bocina) o «Borrado externo».
8	Cerrador – se cierra tras 2 análisis incorrectos durante 1 min.	Cerrador – se cierra tras el primer análisis incorrecto durante 1 min y tras el segundo análisis incorrecto durante 2 min.	El dispositivo aplica tras el 1º análisis incorrecto la pausa entre intervalos.
9	Cerrador – se cierra tras 3 análisis incorrectos durante 1 min.	Cerrador – se cierra tras el primer análisis incorrecto durante 1 min, tras el segundo análisis incorrecto durante 2 min y tras el tercer análisis incorrecto durante 3 min.	El dispositivo aplica tras el 1º y el 2º análisis incorrecto la pausa entre intervalos.

* Estado en el momento de la entrega

Versión: Julio de 2014

Puesta en servicio



Manipulación de reactivos químicos/indicadores

- ¡Observe la ficha de seguridad correspondiente!
- ¡Solamente garantizamos un funcionamiento correcto del dispositivo Testomat® 808 si se utilizan indicadores Heyl Testomat®!

Colocación de la botella de indicador

- Abra la carcasa plegando hacia arriba la tapa.
- Retire el tapón de protección de la botella de indicador.
- En la bolsa de plástico que forma parte del volumen de suministro está el cierre roscado azul con orificio y el inserto correspondiente para la botella de indicador (500 ml).
¡Atención! Hay dos insertos. Uno es para la botella de indicador de 100 ml (pieza de repuesto), el otro para la botella de indicador de 500 ml (volumen de suministro). Se diferencian en la longitud del tubo de aspiración. Seleccione el inserto adecuado para su botella de indicador. El tubo de aspiración tiene que llegar casi hasta el fondo de la botella de indicador cuando está introducido.
- Introduzca el inserto ① en la botella de indicador.
- Coloque el cierre roscado azul con orificio en la ② botella de indicador, apretando a mano.
- Coloque la botella de indicador ③ junto a la alimentación de agua en la carcasa.
- Introduzca a mano la manguera de succión ④ en el conector para mangueras del inserto.

Purga de los conductos de indicador

Con el fin de que el indicador esté disponible para el primer análisis, la manguera de succión y la manguera de transporte de la bomba tienen que estar llenas de indicador hasta la cámara de medición.

- Encienda el dispositivo y pulse la tecla 3 (pausa). Pulsando brevemente se enciende o apaga la función de pausa. Cuando la función está activa, el LED situado encima de la tecla parpadea.
- Para purgar accione la tecla 1 (manual) pulsando prolongadamente (aprox. 2 segundos). La bomba dosificadora comienza a funcionar.
- Deje la bomba en marcha hasta que ya no salga ninguna burbuja de la aguja de dosificación. Después vuelva a pulsar la tecla 1 (manual) durante unos 2 segundos para apagar la bomba.

En la operación en curso la bomba succiona automáticamente el indicador.

Apertura de la alimentación de agua

- Para abrir la alimentación de agua gire poco a poco la válvula de bloqueo manual en el conducto del agua.

Configuración del dispositivo y análisis

Antes de realizar los ajustes necesarios en el dispositivo, lea la siguiente información.

Configuración del dispositivo

Los ajustes necesarios en el dispositivo para realizar los análisis tales como pausa entre intervalos de medición, tamaño del recipiente de la botella de indicador y el comportamiento de los relés 1 y 2 se realizan con el interruptor funcional y deslizante en la placa del controlador. Puede consultar una descripción detallada en el apartado «[Estructura interna del Testomat® 808](#)» en la página 18.

INDICACIÓN

Asignación doble de las teclas de función

- Las cuatro teclas de función en el Testomat® 808, con las que se maneja el dispositivo, están, en principio, ocupadas con dos funciones.
- Para manejar es necesaria o bien una pulsación corta o una larga (como mín. 2 segundos).

La activación del nivel funcional superior, representado en la tecla en negro, se efectúa con una pulsación breve. Para activar el nivel funcional inferior, representado en blanco, hay que pulsar más tiempo. Puede consultar una descripción de las funciones individuales en el apartado «[Elementos de mando / Teclas de función](#)» en la página 11.

INDICACIÓN

Visualización de estados operativos y resultados de mediciones

- Para visualizar los estados operativos y los resultados de las mediciones en el Testomat® 808 se utilizan únicamente LED.
- En función del estado o del resultado los LED pueden o bien parpadear o bien brillar permanentemente (véase apartado «[Elementos de visualización / LEDs](#)» en la página 12).

INDICACIÓN

Visualización de los valores límite

- El Testomat® 808 es un mero medidor de valores límite que utiliza dos LED de valor límite para mostrar el resultado de la medición.



Cuando en el análisis no se alcanza el valor límite indicado brilla el LED verde.

Cuando se supera el valor límite brilla el LED rojo.

Cuando tras concluir una medición se está realizando una nueva medición, el resultado de la medición anterior se muestra parpadeante. Durante la pausa entre intervalos brilla permanentemente el LED correspondiente que muestra el resultado de la medición anterior.

Si ha ocurrido un error en la medición anterior los dos LED están apagados.

Selección del tipo de indicador y del tamaño de la botella

INDICACIÓN

Determinación del rango de medición / monitorización del Testomat® 808

- El rango de medición / monitorización del Testomat® 808 solamente se determina por medio del tipo de indicador seleccionado por usted.
- Puede consultar una lista con los indicadores disponibles en el apartado «[Piezas de repuesto y accesorios del Testomat® 808](#)» en la página 85.

Todos los tipos de indicador indicados están disponibles en dos tamaños de recipiente. Para determinar el tamaño del recipiente de indicador ponga el interruptor deslizante T2 en la parte trasera de la placa del controlador en la posición correspondiente (véase el apartado «[Estructura interna del Testomat® 808](#)» en la página 17):

Posición del interruptor	Indicador	Alcance
a la izquierda	botella de 100 ml	~ 1200 análisis
a la derecha	botella de 500 ml	~ 6500 análisis

INDICACIÓN

Posición del interruptor

- El estado del interruptor deslizante T2 se lee tras restablecer la visualización del indicador a 100 % y tras un reinicio.

INDICACIÓN

Establecer la cantidad de indicador a 100 %

- Después de seleccionar el tamaño de botella y de haber colocado la botella, pulse la tecla 4 (bocina) para establecer la cantidad de indicador a 100 %.

Llevar a cabo un análisis

Tras encender el dispositivo comienza el modo por intervalos automático. El primer análisis comienza a los 15 segundos. Los demás análisis comienzan tras la pausa programada entre intervalos.

INDICACIÓN**Duración de la pausa entre intervalos**

- La duración de la pausa entre intervalos entre dos mediciones puede ser programada entre 0 y 60 minutos, véase para ello el apartado «[Pausa entre intervalos](#)» en la página 75.
- **¡Atención!** Tras un análisis incorrecto se ignora una posición determinada del interruptor de función **S6** (2/3/5/6/8 y 9) y se ejecuta sin demora **otro** análisis.

El modo por intervalos automático se puede interrumpir mediante pausa e iniciar los análisis a mano.

Modo de funcionamiento	Función/Proceso
Pausa	<p>El dispositivo está encendido y en modo de reposo.</p> <p>Encender/apagar la pausa con una pulsación breve en la tecla 3 (pausa).</p> <p>Aviso: En una pausa entre intervalos el dispositivo conmuta inmediatamente a pausa, esto finalizará un análisis en curso.</p>
Modo manual	<p>Prerrequisito: El dispositivo está en pausa o en una pausa entre intervalos.</p> <p>Encender/apagar el modo manual con una pulsación breve en la tecla 1 (manual).</p> <p>Se ejecuta un análisis inmediatamente, independientemente de la pausa programada.</p>

Ejecución de un análisis

La duración de un análisis es de aprox. 2 min. El desarrollo de un análisis del agua para determinar la dureza total residual es como sigue:

Comienzo del análisis

- ⇒ Se abre la válvula solenoide para la alimentación de agua
- ⇒ Se lava la cámara de medición
- ⇒ Tras concluir el tiempo de lavado se cierra la válvula solenoide
- ⇒ Se enciende el sensor óptico para medir el posible enturbiamiento del agua
- ⇒ Continúa la medición hasta que no se detecte ningún enturbiamiento (el agua se ha desgasificado por completo)
- ⇒ Se inicia la medición con un valor de medición constante
- ⇒ Se activan la bomba dosificadora y el núcleo del agitador
- ⇒ Se lee el valor medido pendiente
- ⇒ Se evalúa el cambio de color en la cámara de medición
- ⇒ De ser necesario se conmuta el relé, se muestra el resultado
- ⇒ Se lava la cámara de medición

Fin del análisis

Otras funciones y ajustes básicos

Lavado interno

Para garantizar que la prueba a analizar es actual, hay que lavar toda la longitud del conducto de toma de pruebas correspondientemente.

INDICACIÓN

Duración del tiempo de lavado interno

- La duración del tiempo de lavado interno está programado de forma fija (10 s antes y después de la medición) y no puede ser modificado por el usuario.

La cantidad de agua de lavado interno depende de la presión:

Presión	Cantidad máx. de agua por análisis
1 bar	80 ml
2 bares	120 ml
3 bares	160 ml

Lavado externo

Si el conducto de extracción de pruebas es muy largo (aprox. 3 – 10 metros) o si se utiliza un conducto con sección grande, se debe instalar una válvula de lavado delante del dispositivo Testomat® 808. Se conecta en la salida «relé 1».

Proceso de lavado – interno/externo en modo manual

Para lavar adicionalmente el dispositivo proceda como sigue:

- Para el lavado, conmute primero el dispositivo en el modo de pausa. Para ello, pulse brevemente la tecla 3 (pausa).
- Si se está efectuando una medición espere a que finalice.

Proceso de lavado interno:

- Para abrir la válvula de lavado interna accione brevemente la tecla 2 (lavado).

La válvula se abre y la cámara de medición se lava.

Mientras se active la válvula de lavado, el LED situado encima de la tecla 2 (lavado) parpadea.

- Para finalizar el proceso de lavado pulse de nuevo brevemente sobre la tecla 2 (lavado).

Proceso de lavado externo:

- Para activar la válvula de lavado externa, accione la tecla 2 (lavado) aprox. 2 segundos (pulsación larga).

La válvula externa se activa por medio del relé 1 y se lava el conducto.

- Pulse aprox. 2 segundos la tecla 2 (lavado), para finalizar el proceso de lavado.

Mientras se active la válvula de lavado externa, el LED situado encima de la tecla 2 (lavado) y el LED K1 brillan.

Pausa entre intervalos

En una activación de análisis por temporizador se determina el tiempo entre dos análisis (más tiempo de lavado) con la pausa entre intervalos. El tiempo mínimo puede ser de 0 minutos. En ese caso se realizan análisis sin pausa entre ellos. El tiempo máximo es de 60 minutos.

La pausa entre intervalos de medición deseados se regula con el interruptor de función S6 en la placa del controlador (véase el apartado «Parte trasera de la placa del controlador» en la página 60). En las pausas entre intervalos son posibles las siguientes posiciones de interruptor:

Posición	Pausa entre intervalos
0	0 min
1	5 min
2	10 min
3*	15 min
4	20 min
5	25 min
6	30 min
7	40 min
8	50 min
9	60 min

* Estado en el momento de la entrega

INDICACIÓN

Posición del interruptor

- La posición del interruptor actual se lee, respectivamente, tras la evaluación de un resultado de medición y tras un reinicio.

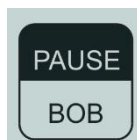
INDICACIÓN

Reajuste de la duración de la pausa entre intervalos

- Cuando la función de pausa se activa durante una pausa entre análisis y después se desactiva de nuevo, se aplica de nuevo el tiempo de pausa entre intervalos.

Funcionamiento de 72 h (funcionamiento sin supervisión continua)

Cuando el dispositivo deba funcionar durante largo tiempo sin supervisión (p. ej., el fin de semana), puede revisar con esta función si hay suficiente indicador para una medición continua.



Teniendo en cuenta el indicador todavía disponible, el dispositivo calcula la duración de las pausas entre intervalos y la cantidad de indicador necesaria para cada medición si la cantidad restante de indicador es suficiente para las próximas 72 horas de servicio.

- Para revisar el modo de 72 horas mantenga pulsada la tecla 3 (pausa) durante aprox. 2 segundos.

Funcionamiento de 72 h posible	Funcionamiento de 72 h no posible
El LED sobre la tecla 3 (pausa) brilla durante 4 segundos.	El LED sobre la tecla 3 (pausa) parpadea rápidamente durante 4 segundos.

Mensajes de error/Ayuda para fallos

Alarma/Mensaje de error/Relé 3

Para visualizar mensajes de alarma/de error el dispositivo Testomat® 808 utiliza indicadores LED que o bien brillan continuamente o bien parpadean.

INDICACIÓN

Tratamiento de mensajes de error

- ¡Tras un corte de electricidad se borran todos los mensajes de estado/de error!
- Los mensajes de error pendientes se pueden confirmar pulsando brevemente la tecla 4 (bocina) o con la entrada BORRADO EXT. (Página 67).
- Le recomendamos realizar un análisis manual tras un mensaje de error para determinar si todavía existe el error. Los demás pasos tal como se describe más abajo.
- Cuando han surgido varias mediciones fallidas consecutivas, el LED sobre la tecla «POWER» y el LED sobre la tecla 4 (bocina) brillan. En ese caso debe pulsar la tecla de restauración S1 o apagar y volver a encender el dispositivo, para confirmar la alarma.

El LED rojo de alarma sobre la tecla 4 (bocina) se activa como sigue:

LED	Causa
Parpadea	<ul style="list-style-type: none"> • El nivel de llenado de indicador está a cero • Tras la dosificación hay muy poco o ningún indicador en la cámara de medición • Fallo en el sensor óptico • El dispositivo se opera fuera de la especificación (p. ej., con temperatura baja o con indicador caducado)
Brilla	<ul style="list-style-type: none"> • El nivel de llenado de indicador está a >0 hasta 10 % • Todos los demás errores

Los mensajes de error se emiten a través de la interfaz de corriente. Pueden surgir los siguientes mensajes de estado / error:

Pausa	5 mA
Medición correcta	8 mA
Medición incorrecta	11 mA
Escasez de agua	14 mA
Escasez de indicador < 10 % (confirmable con la tecla 4)	17 mA
Indicador vacío (no confirmable) o Fallo en el sensor óptico Muy poco o ningún indicador en la cámara de medición o El dispositivo se opera fuera de la especificación (p. ej., con temperatura baja o con indicador caducado)	20 mA

E4	●	90%
E3	●	70%
E2	●	50%
E1	●	30%
	●	10%

Con los LED E1 a E4 se pueden mostrar los errores individuales.

- Para ello pulse simultáneamente las teclas 3 (pausa) y 4 (bocina) durante aprox. 2 segundos.

Los siguientes errores se muestran durante 4 segundos:

LED	Causa	Solución
E4	Potencia muy baja del LED, muy poca luz (o error de hardware)	<ul style="list-style-type: none"> ➤ Revise si el agua está turbia. Una turbiedad excesiva puede influir negativamente en la medición. ➤ Revise si la cámara de medición /mirilla están sucias. ➤ El sensor o el LED podrían estar dañados. ➤ Revise si hay escasez de agua. ➤ Revise si se están utilizando correctamente la cámara de medición y el alojamiento LED. Durante el transporte se pueden aflojar los componentes. Entonces la medición no se realiza correctamente. ➤ En caso necesario, realice una comparación visual tal como se describe en el manual de mantenimiento del Testomat® 808.
E3	Potencia muy alta del LED, demasiada luz (o error de hardware)	<ul style="list-style-type: none"> ➤ Cierre la tapa de la carcasa. El entorno es demasiado claro (irradiación solar) e influye en la medición. ➤ El sensor o el LED podrían estar dañados. ➤ En caso necesario, realice una comparación visual tal como se describe en el manual de mantenimiento del Testomat® 808.
E2	Análisis del fallo de medición	<ul style="list-style-type: none"> ➤ Revise si la botella de indicador está vacía. ➤ ¿Coincide la visualización del indicador con la cantidad de indicador en la botella? ➤ Revise el indicador. Utilice únicamente el indicador autorizado por nosotros para el Testomat® 808. El indicador para otros dispositivos Testomat conlleva resultados erróneos de medición o el error «MST análisis». ➤ Revise si está disponible el núcleo del agitador y si gira. ➤ Revise si la bomba transporta indicador. ➤ Revise si la aguja de dosificación está bloqueada o si la junta tórica está dañada. Asegúrese de que las mangueras de aspiración y de presión no succionan aire adicional. Revise la lanza de succión. Asegúrese de que no salgan burbujas por la aguja de dosificación. ➤ Compruebe el fusible F3 y reemplácelo. Si el fusible se sigue disparando, cambie el motor de bomba.
E1	Escasez de agua	<ul style="list-style-type: none"> ➤ Revise la estanqueidad de los conductos de agua. ➤ ¿Se han conectado correctamente los conductos de agua? ➤ ¿Se han abierto todas las válvulas de bloqueo en la alimentación? ➤ Asegúrese de que no haya ninguna partícula extraña que ocasione bloqueo.

Escasez de agua

En caso de escasez de agua el LED sobre la tecla 4 (bocina) brilla. Además, el relé 3 avisa de la falta de agua. Para ello están unidos los contactos C y NC.

- Pulse la tecla 4 (bocina) o cierre los contactos de la entrada «Borrado externo», para confirmar la alarma.

Después de la confirmación se apaga el LED situado encima de la tecla 4 y el relé 3 se abre (los contactos C y NO están unidos).

INDICACIÓN

Sin confirmación también se borra la alarma cuando ya no hay escasez de agua tras el análisis siguiente.

Análisis del fallo de medición

- Cuando la cantidad de indicador calculada está entre >0 hasta 10 %, brilla el LED rojo de alarma sobre la tecla 4 (bocina). Ese mensaje solo se emite una vez y puede ser confirmado con una pulsación breve de la tecla 4 (bocina) en el dispositivo o con un contacto en «Borrado externo».
- Cuando la cantidad de indicador calculada es cero, parpadean tanto el LED rojo de alarma como el LED de pausa (sobre la tecla 3). Las entradas externas «Parada» y «Borrado externo» se ignoran. Ahora tiene que cambiar la botella de indicador (véase el apartado «[Cambiar la botella de indicador](#)» en la página 81).
- En caso de fallo de medición por escasez de indicador parpadea el LED sobre la tecla 4 (bocina) y el dispositivo pasa a pausa. El origen del fallo pueden ser conductos dañados o doblados. También podría estar vacía la botella de indicador por un estado de indicador mal programado.

Otros posibles errores del dispositivo

Pantalla de error	Posible causa	Solución, medidas para solventar el fallo
Dispositivo sin funcionamiento, aunque está encendido	<ul style="list-style-type: none"> – Fusibles F1, F2 o F3 defectuosos – Interruptor de alimentación defectuoso – Cable plano suelto en la placa del controlador – Cable plano suelto en la placa base – Error en el controlador o en la placa base 	<ul style="list-style-type: none"> ➤ Cambiar los fusibles ➤ Cambiar el interruptor de alimentación ➤ Volver a enganchar el cable plano ➤ Cambiar el controlador o la placa base

Activación de un dispositivo de protección

Tras activarse un dispositivo de protección (cortacircuito) intente primero subsanar la causa del error (p. ej., sustituir una válvula defectuosa), antes de volver a activar el dispositivo de protección.

Una activación frecuente es siempre ocasionada por un fallo que bajo determinadas circunstancias también puede dañar el dispositivo.

Mal funcionamiento / reparación de un dispositivo defectuoso

La reparación de un dispositivo defectuoso, sin importar el plazo de garantía, solamente es posible desmontado y con una descripción del fallo. Comuníquenos también el tipo de indicador usado actualmente.

- Cuando envíe el dispositivo para su reparación, vacíe del todo la cámara de medición y retire la botella.
- Coloque un tapón de cierre como seguro de transporte para que la boquilla de desagüe no sufra pérdidas.
- Utilice el registro de errores adjunto para describir el fallo y envíe el registro junto con el dispositivo. Si ya no está disponible el registro de errores, puede descargarlo en Internet en www.heyl.de.

Cuidado y mantenimiento

INDICACIÓN

Medidas de mantenimiento necesarias

- ¡Para garantizar el correcto funcionamiento del dispositivo es necesario un mantenimiento periódico (semestral o anualmente)!

Lleve a cabo periódicamente como mínimo los trabajos de mantenimiento descritos a continuación, cuando:

- El dispositivo muestra los siguientes mensajes de error: «Muy poca/demasiada luz», «Escasez de agua» o «Escasez de indicador»
- El último mantenimiento se ha realizado hace más de 6 meses.

ATENCIÓN

Medidas de limpieza

- ¡No utilice nunca disolventes orgánicos para limpiar la cámara de medición y otras piezas de plástico! Utilice p. ej., alcohol etílico.
- ¡Observe las normas de seguridad para la manipulación de detergentes!
- Con el transcurso del tiempo se puede formar una capa de color sobre las mirillas. Esa capa se puede eliminar con facilidad usando alcohol etílico.

Sustituya las siguientes piezas en los intervalos respectivos:

Componente	Intervalo de sustitución
Cabeza de la bomba Bloque motor	<ul style="list-style-type: none"> • Cuando la visualización E4 «Mensaje de mantenimiento para la cabeza de la bomba» parpadea

Instrucciones de cuidado

La superficie del dispositivo no ha sido tratada. Evite, por eso, que se manche con indicador, aceite o grasa. Si pese a ello la carcasa estuviese sucia, limpie la superficie con un detergente comercial para plástico (no utilice nunca otros disolventes).

Descripción de los trabajos de mantenimiento

Los trabajos de mantenimiento descritos a continuación deben ser realizados periódicamente.

	3 meses	½ año	1 año
Limpieza y estanqueidad de la cámara de medición (véase página 37)	revisar	revisar	revisar

INDICACIÓN

Purga del sistema de conductos

- Para garantizar el correcto funcionamiento del dispositivo hay que purgar el sistema de conductos después de cada intervención mecánica. ¡Para ello proceda como se describe en el apartado «[Cambiar la botella de indicador](#)» en la página 81!

Cambiar la botella de indicador

Cuando el dispositivo Testomat® 808 muestra el mensaje de error «Escasez de indicador» (sobre los mensajes de error consulte el apartado «[Mensajes de error/Ayuda para fallos](#)» en la página 76), hay que cambiar la botella de indicador. Para ello proceda como sigue:

- Conmute para ello el dispositivo al modo de pausa. Si hay una medición en marcha, espere hasta que haya finalizado la medición.
- Retire la botella de indicador vacía tirando de la manguera de aspiración del conector de manguera en la parte superior de la botella y retirando la botella vacía.
- Coloque la nueva botella de indicador tal como se describe en el apartado «» en la página 28.
- Después de colocar una nueva botella tiene que purgar el sistema de conductos. Para ello accione la tecla 1 (manual) pulsando prolongadamente (aprox. 2 segundos). La bomba dosificadora comienza a funcionar.
- Deje la bomba en marcha hasta que ya no salga ninguna burbuja de la aguja de dosificación. Después vuelva a pulsar la tecla 1 (manual) durante unos 2 segundos para apagar la bomba.

INDICACIÓN

ATENCIÓN

Tamaño correcto del recipiente

- ¡Preste atención para configurar el tamaño correcto del recipiente para la botella de indicador con el interruptor deslizante T2 (véase el apartado «[Interruptor deslizante T2](#)» en la página 19)!

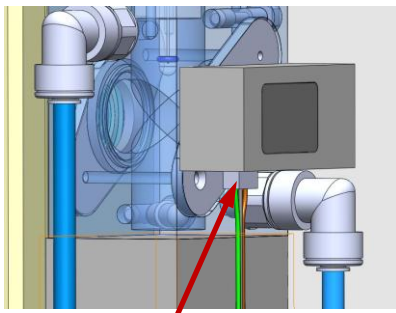
- Tras purgar accione la tecla 4 (bocina) pulsando prolongadamente (aprox. 2 segundos), para restablecer el contador de análisis de nuevo al 100 %.

Restablecer el contador de análisis

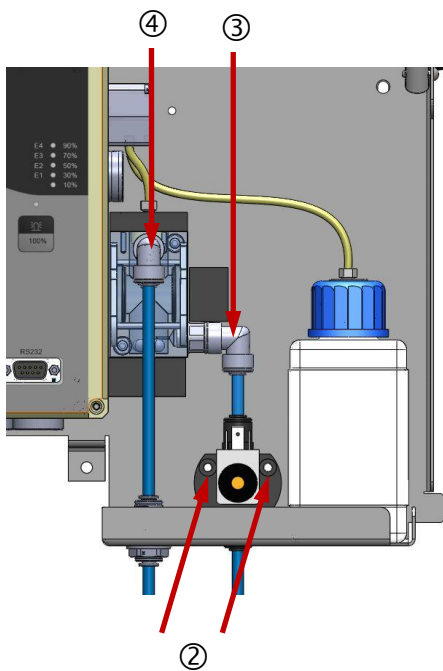
El Testomat® 808 calcula de forma autónoma el número de análisis dependiendo del tamaño del recipiente.

¡El dispositivo no puede leer el nivel real de llenado de la botella de indicador!

- ¡Restablezca al 100 % del contador de análisis solo cuando haya cambiado la botella de indicador por una nueva!



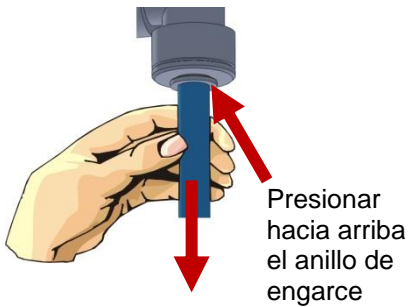
①



②

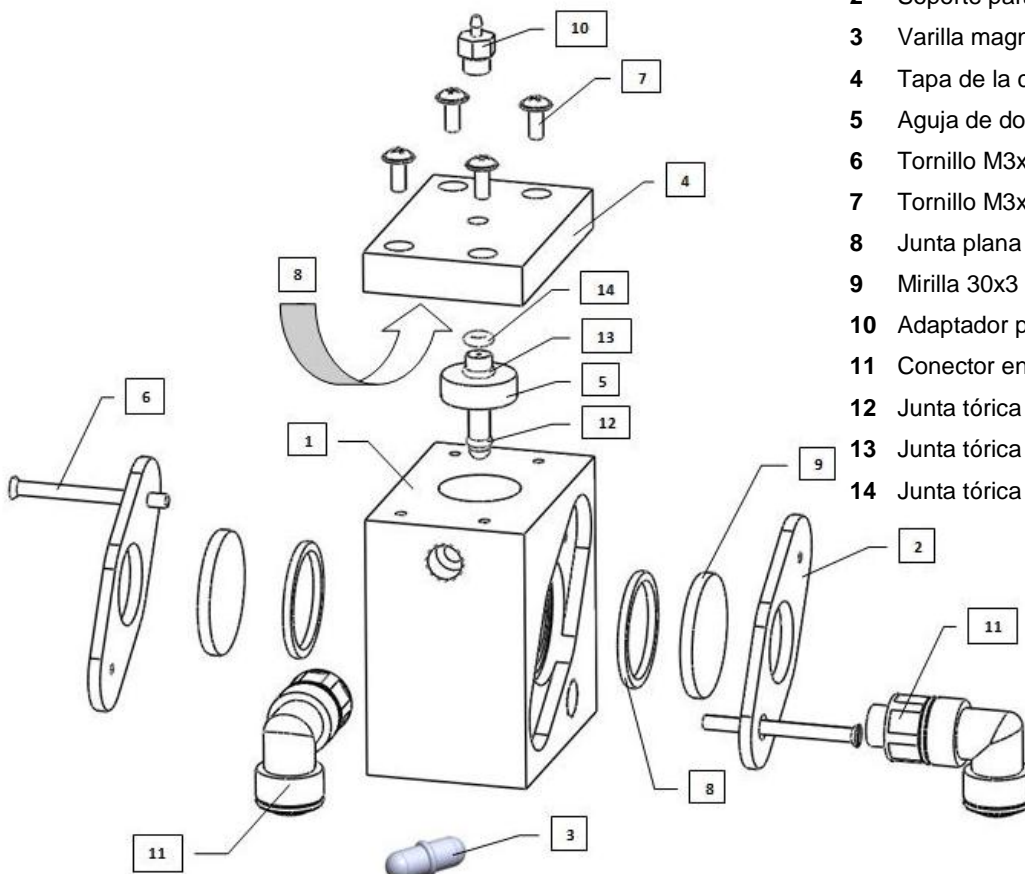
Limpieza de la cámara de medición y las mirillas

- Apague el dispositivo.
- Cierre la válvula de bloqueo en el conducto adicional hacia el Testomat® 808.
- Para desensamblar la cámara de medición tire primero del cable ① del alojamiento LED y suelte la manguera de la bomba del conector de la cámara.
- Para acceder con mayor facilidad puede retirar también la botella de indicador.
- Suelte ambos tornillos ② con los que está sujeta la válvula solenoide a la pared trasera. Pulse el anillo de engarce superior de la válvula solenoide hacia abajo, de forma que la válvula pueda ser desplazada hacia abajo, a la repisa.
- Gire el conector de mangueras acodado ③ hacia arriba. Presione hacia arriba el anillo de engarce del conector de mangueras superior ④ y extraiga la manguera de aspiración.
- Gire ese conector de mangueras acodado ④ hacia arriba, para que no pueda salir agua de la cámara de medición. Ahora tire hacia delante de la cámara de medición para limpiarla, sacándola del soporte.
- Para vaciar la cámara de medición gire de nuevo el conector de manguera acodado inferior ③ hacia abajo y deje salir el agua restante.



Para limpiar la cámara de medición desmóntela como sigue:

- Suelte los 4 tornillos (7) de la tapa de la cámara de medición (4) y retire la tapa y la junta plana (8).
- Extraiga la aguja de dosificación (5) de la cámara de medición.
- Suelte respectivamente 1 tornillo (6) para retirar el soporte de la mirilla (2) en los laterales de la cámara de medición.
- Retire las mirillas (9) y las juntas planas (8) respectivas.
- La capa depositada sobre las mirillas se puede retirar con alcohol etílico. Si se ha empleado el dispositivo durante un largo periodo para medir agua dura, se puede generar en las mirillas una capa sólida. Limpie las mirillas y la cámara de medición tal como se describe a continuación.
- La cámara de medición se puede limpiar con un detergente adecuado para descalcificar y desoxidar (solución máx. 5 - 10 por ciento). Tras la limpieza hay que lavar a fondo la cámara de medición.
- Después de haber limpiado por completo la cámara de medición puede volver a instalarla. Para ello proceda en el orden inverso al desmontaje.
- Cuando se han concluido todos los trabajos de montaje, hay que purgar el sistema de conductos antes de volver a poner en servicio el dispositivo (véase el apartado «[Colocación de la botella de indicador](#)» en la página 28).



- | | | |
|----|-------------------------------|---|
| 1 | Cámara de medición | (Artículo N.º 37615 (1-4bar) o 37616 (0,3-1 bar)) |
| 2 | Soporte para mirilla | (Artículo N.º 40176) |
| 3 | Varilla magnética | (Artículo N.º 40050) |
| 4 | Tapa de la cámara de medición | (Artículo N.º 37534) |
| 5 | Aguja de dosificación | (Artículo N.º 37536) |
| 6 | Tornillo M3x40 | (Artículo N.º 33253) |
| 7 | Tornillo M3x12 | (Artículo N.º 33246) |
| 8 | Junta plana 24x2 | (Artículo N.º 33777) |
| 9 | Mirilla 30x3 | (Artículo N.º 40170) |
| 10 | Adaptador para manguera | (Artículo N.º 37538) |
| 11 | Conector enroscable acodado | (Artículo N.º 40157) |
| 12 | Junta tórica 3,68x1,78 | (Artículo N.º 33797) |
| 13 | Junta tórica 4,5x1,5 | (Artículo N.º 11264) |
| 14 | Junta tórica 1,78x1,78 | (Artículo N.º 11245) |

Mensaje de mantenimiento para la cabeza de la bomba

Durante el funcionamiento se cuenta el tiempo de ejecución efectivo de la cabeza de la bomba. Cuando se alcanzan las 150 horas, el LED E4 parpadea con un mensaje de mantenimiento para la cabeza de la bomba. Para un funcionamiento normal (intervalo de análisis cada 10 min) ese tiempo de ejecución se alcanza pasados aprox. 2 años, o bien tras 54.000 análisis.

- Para confirmar el mensaje apague el dispositivo.
- Pulse la tecla 4 (bocina), manteniéndola pulsada mientras arranca el dispositivo.
Así se restablece el tiempo de ejecución de la cabeza de la bomba, pasando a 0.

INDICACIÓN

Sustitución de la cabeza de la bomba

Le recomendamos cambiar la cabeza de la bomba cuando se muestre el mensaje de mantenimiento.

Encontrará una descripción detallada de las tareas de mantenimiento en el “Manual de mantenimiento del Testomat® 808”.

Mantenimiento del bloque motor

Recomendamos cambiar también el bloque motor con cada cambio del cabezal de la bomba para evitar averías.

Póngase en contacto con el servicio técnico correspondiente que pueda efectuar el cambio o envíe el equipo al servicio de mantenimiento.

Piezas de repuesto y accesorios del Testomat® 808

¡Atención!

Si debe enviar su Testomat 808 para ser sometido a mantenimiento compruebe que la cámara de medición esté vacía.

Art.-N.º	Piezas de repuesto de la cámara de medición
33777	Junta plana 24x2
40170	Mirilla 30x3
40176	Soporte para mirilla
33253	Tornillo M3x40, A2, DIN 965
33246	Tornillo M3x12
37615	Cámara de medición T808 acopl. (1 – 4 bar)
37616	Cámara de medición T808 acopl. (0,3 – 1 bar)
37534	Tapa para la cámara de medición
37621	Aguja de dosificación
40050	Varilla magnética tratada
40157	Conector enroscable angular G1/8"-6
33797	Junta tórica 3,68x1,78
11264	Junta tórica 4,5x1,5
11245	Junta tórica 1,78x1,78
Art.-N.º	Piezas de repuesto del dispositivo
32375	Placa del sensor óptico Testomat 808 acopl.
37322	Placa de control Testomat 808 acopl.
37324	Placa base Testomat 808 acopl.
37568	Alojamiento LED Testomat 808 acopl.
37570	Válvula solenoide Testomat 808 acopl.
37578	Cabeza de la bomba Testomat 808
31592	Fusible, soldadura T1,0A
31593	Fusible, soldadura T0,8A
31584	Fusible, soldadura T0,2A
31595	Fusible, soldadura T0,1A
31666	Fusible GS-T, 5x20, T A4
40190	Pasacables 5 – 7, gris
40191	Pasacables 7 – 10, gris
37400	Arnés de cableado acopl. con interruptor de alimentación y caperuza
Art.-N.º	Conexión bridada / dispositivo de succión
37579	Inserto para el cierre roscado y tubo de succión Botella de 500 ml
37580	Inserto para el cierre roscado y tubo de succión Botella de 100 ml
37538	Adaptador de mangueras Testomat 808

Art.-N.º	Accesorios especiales
37583	Filtro de bujía Testomat 808 acopl.
37584	Cartucho de filtro
37593	Tapón de cierre D = 6
37576	Juego de equipamiento para la alimentación de agua y el desagüe de Testomat BOB a Testomat 808
37602	Regulador de presión acopl. para Testomat® 808
270342	Maletín de reparación y servicio Testomat 808*
270351	Juego de servicio Testomat 808*
100494	Motor reductor para bomba dosificadora
37653	Mirillas PMMA

Accesorios - Indicadores

Tipo de indicador	Cambio de color en el valor límite	Art.-N.º botella de 100 ml	Art.-N.º botella de 500 ml
300	0,02°dH = 0,4ppm CaCO ₃ = 0,04°f dureza residual	140001	141001
300 S	0,05°dH = 0,9ppm CaCO ₃ = 0,09°f dureza residual	140002	141002
301	0,1°dH = 1,8ppm CaCO ₃ = 0,18°f dureza residual	140003	141003
302	0,2°dH = 3,6ppm CaCO ₃ = 0,36°f dureza residual	140004	141004
303	0,3°dH = 5,4ppm CaCO ₃ = 0,54°f dureza residual	140005	141005
305	0,5°dH = 9ppm CaCO ₃ = 0,9°f dureza residual	140006	141006
310	1°dH = 18ppm CaCO ₃ = 1,8°f dureza residual	140007	141007
320	2°dH = 36ppm CaCO ₃ = 3,6°f dureza residual	140008	141008
330	3°dH = 54ppm CaCO ₃ = 5,4°f dureza residual	140009	141009
350	5°dH = 90ppm CaCO ₃ = 9,0°f dureza residual	140010	141010

Puede consultar un resumen completo actual de los accesorios disponibles en nuestro programa de entrega en www.heyl.de.

INDICACIÓN

Conexión de la botella

El Testomat® 808 se entrega con una conexión de botella para una botella de 500 ml. Si fuese necesario solicite una conexión de botella para una botella de 100 ml.

Datos técnicos

Conexión de red:	24 / 115 / 230V, 50 – 60 Hz Fusible del dispositivo 230 – 240 V: T0,1 A Fusible del dispositivo 115 V: T0,2 A Fusible del dispositivo 24 V: T0,8 A
Fusible de red para el consumidor:	máx. 4 A (n , l)
Consumo de corriente:	máx. 16 VA, sin carga externa
Clase de protección:	I
Tipo de protección:	IP 54
Conformidad:	EN 61000-6-2, EN 61000-6-4, EN 61010-1
Temperatura ambiente:	10 – 40 °C
Rango de medición:	Véase el capítulo «Descripción del trabajo»
Interfaz de corriente:	La salida define valores (5, 8, 11, 14, 17, 20 mA) para emitir mensajes de estado y de error, carga máx. 500 ohmios
Carga de contacto Relé:	230V / 4A AC carga óhmica
Dimensiones:	Ancho x Alto x Largo = 364 x 314 x 138 mm
Peso:	4350 g



Conexión de agua	
Presión de servicio:	0,3 – 1 bar / $0,3 \times 10^5$ hasta 4×10^5 Pa (utilizar para ello la cámara de medición Art.-N.º 37616!) 1 – 4 bar / 1×10^5 hasta 4×10^5 Pa, respectivamente según modelo (a partir de 4 hasta 8 bares hay que emplear un reductor de presión (accesorio especial))
Alimentación de agua:	manguera opaca con diámetro exterior de 6 mm / diámetro interior de 4 mm
Desagüe:	manguera opaca con diámetro exterior de 6 mm / diámetro interior de 4 mm
Temperatura del agua:	10 a 40 °C

¡Nos reservamos el derecho a modificaciones constructivas para mejorar el producto!

Declaración de conformidad CE

Declaración de conformidad CE



Para el producto descrito a continuación

Testomat 808

Dispositivo automático de análisis online para la dureza del agua

Por la presente confirmamos que cumple con los requisitos de protección esenciales que se determinan en la Directiva de la Comisión para la equiparación de las legislaciones de los Estados Miembro sobre la compatibilidad electromagnética (2004/108/CE) y los equipos de funcionamiento eléctrico para ser usados dentro de determinados límites de tensión (2006/95/CE).

Esta declaración tiene vigencia para todos los ejemplares que se fabriquen en base a la documentación de producción adjunta y que forma parte de esta declaración.

Para evaluar el producto se han consultado las siguientes normas:

EN 61000-6-4 Compatibilidad electromagnética, norma básica sobre emisión de interferencias

EN 61000-6-2 Compatibilidad electromagnética, norma básica sobre resistencia a las interferencias

EN 61010-1 Disposiciones de seguridad para equipos de medición, de control, de regulación y de laboratorio accionados eléctricamente

Esta declaración se emite con responsabilidad del fabricante

GEBRÜDER HEYL
Analysentechnik GmbH & Co. KG
Orleansstraße 75b
31135 Hildesheim

por

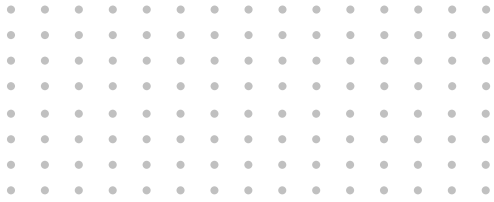
Jörg-Tilman Heyl
Director gerente

Hildesheim, a 02.12.2014

Resumen del producto – Dispositivos Testomat 2000®



Modelo/Tipo	Parámetro de medición	Rango de medición	Aplicaciones/Funciones
Testomat 2000®	<ul style="list-style-type: none"> • Dureza de agua • Dureza carbonatada • Valor p • Valor -m 	0.05-25 °dH 0,5-20 °dH 1-15 mmol/l 0.05-0.5 mmol/l	<ul style="list-style-type: none"> • de uso universal para plantas de tratamiento de agua • habilitado para instalaciones de calderas
Testomat 2000® Antox	los mismos del Testomat 2000®	igual al del Testomat 2000®	<ul style="list-style-type: none"> • dosificación de un agente reductor
Testomat 2000® CAL	los mismos del Testomat 2000®	igual al del Testomat 2000®	<ul style="list-style-type: none"> • con función de calibración automática
Testomat 2000® CLF	<ul style="list-style-type: none"> • cloro libre 	0-2.5 mg/l	<ul style="list-style-type: none"> • método DPD para el control de agua en piscinas y potable
Testomat 2000® CLT	<ul style="list-style-type: none"> • clorio total 	0-2.5 mg/l	<ul style="list-style-type: none"> • método DPD para el control de agua de piscinas y de agua potable
Testomat 2000® CrVI	<ul style="list-style-type: none"> • cromato • cromo-VI 	0-2.0 mg/l 0-1.0 mg/l	<ul style="list-style-type: none"> • control de proceso para aguas servidas en la industria galvanoplástica
Testomat 2000® Duo	los mismos del Testomat 2000®	igual al del Testomat 2000®	<ul style="list-style-type: none"> • control de dos puntos de medición
Testomat 2000® Fe	<ul style="list-style-type: none"> • Hierro-II y hierro-III 	0-1.0 mg/l	<ul style="list-style-type: none"> • plantas deferrizadoras
Testomat 2000® Polymer	<ul style="list-style-type: none"> • Poliacrilato 	0-50 mg/l	<ul style="list-style-type: none"> • Supervisión de los medios acondicionantes en circuitos en frío y en caliente
Testomat 2000® SO₃	<ul style="list-style-type: none"> • Sulfito 	0-20 mg/l	<ul style="list-style-type: none"> • control de los enlaces oxigenados con sulfitos en agua de alimentación de calderas
Testomat 2000® self clean	los mismos del Testomat 2000®	igual al del Testomat 2000®	<ul style="list-style-type: none"> • limpieza automática de la cámara de medición
Testomat 2000 THCL®	<ul style="list-style-type: none"> • cloro total • dureza del agua 	0-2.5 mg/l 0.25-2.5 °dH	<ul style="list-style-type: none"> • método DPD para el control de agua de piscinas y de agua potable • sistema combinado para dureza y contenido de cloro
Testomat 2000® V	<ul style="list-style-type: none"> • Dureza de agua • Dureza carbonatada 	1.0-25.0 °dH 1.0-20.0 °dH	<ul style="list-style-type: none"> • agua de mezcla



Gebrüder Heyl
Analysentechnik GmbH & Co. KG
Orleansstraße 75b
D 31135 Hildesheim
www.heyhl.de

Testomat_808_US_160308.docx



Scan the code and
visit us on our website!

Lea el código y
visite nuestra página Web.